

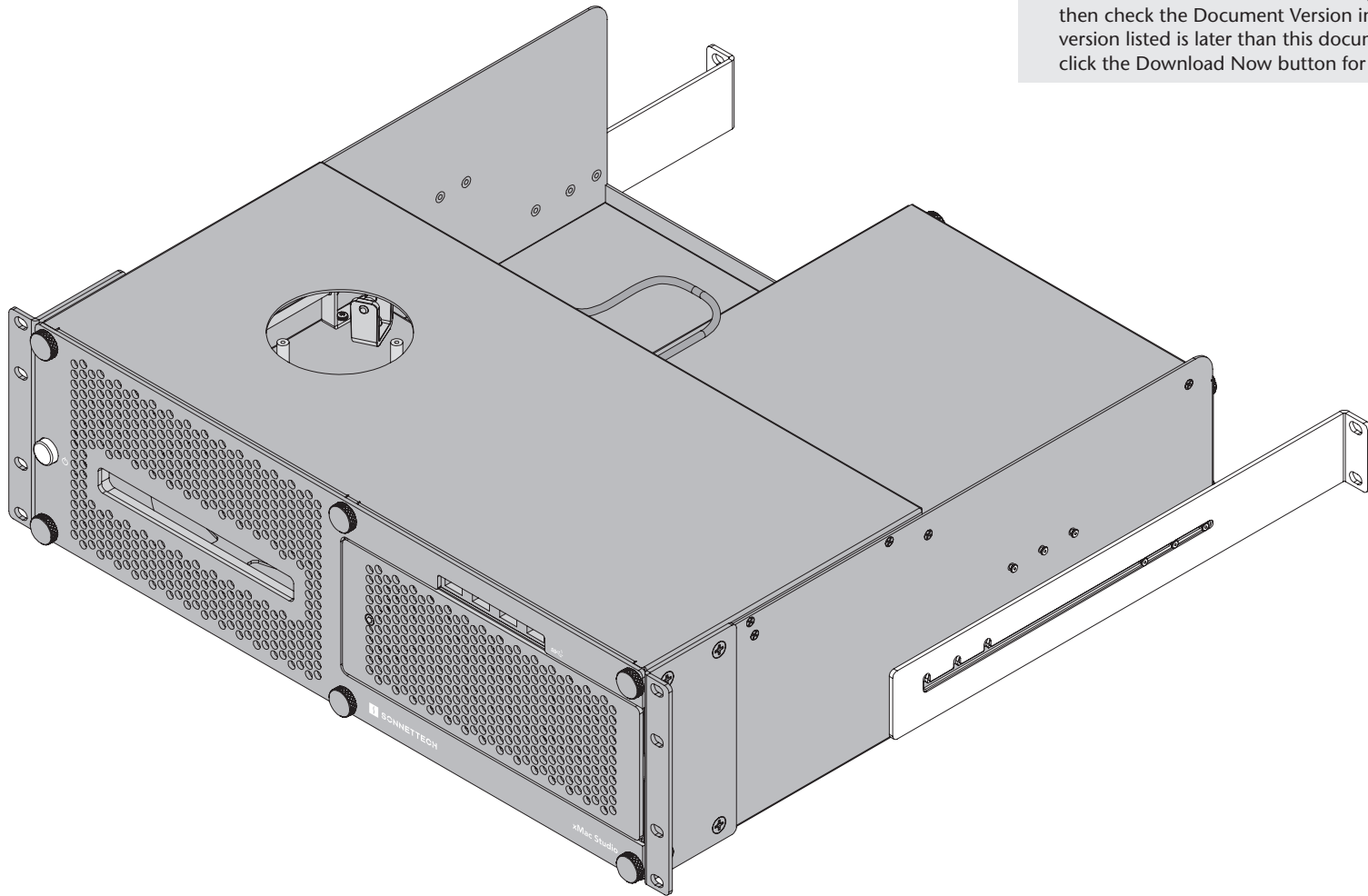
User's Guide

for xMac Studio



Support Note: This document was up to date at the time of printing. However, changes to the hardware or software may have occurred since then. Please check the Sonnet website for the latest documentation.

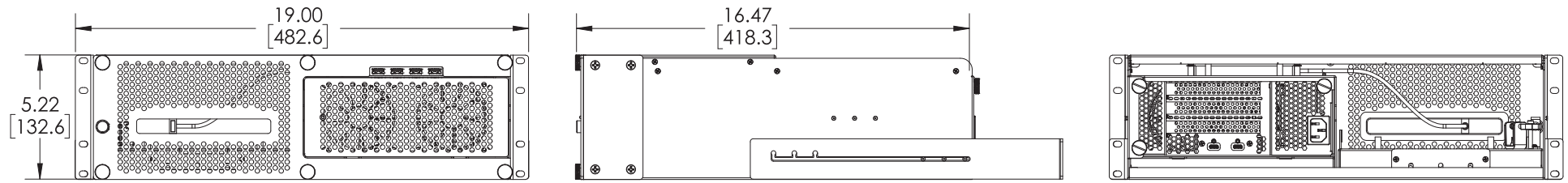
1. Go to <https://www.sonnettech.com/support/kb/kb.php>
2. Navigate to and click the xMac Studio link.
3. Click the Manual link.
4. Click the xMac Studio User's Guide [English] link and then check the Document Version information. If the version listed is later than this document (**revision A**), click the Download Now button for the latest version.



Contents

1 Introduction and System Requirements	1
Introduction	
Mac Compatibility	
System Requirements	
2 xMac Studio Description	2
Exterior	
Echo III Module Interior	
Echo I Module Interior	
Power Cord	
Thunderbolt 3 (40Gbps) Cable	
Thunderbolt 3 Connector Retainer Clip	
Self-adhesive Magnet	
3 Computer Installation and Module Removal Steps	7
4 Echo III Module PCIe Card Installation Steps	9
5 Echo I Module PCIe Card Installation Steps	11
6 Echo Module Installation Steps	12
7 Accessory Installation Steps (Optional)	13
8 Final Assembly and Enclosure Installation Steps	15
9 Complete Setup and Configuration	16
10 Tips, General Information, and Known Issues	17
Tips, General Information	
Known Issues	
11 Precautions, FCC Compliance, and Support Information	18
Safety Precautions	
FCC Compliance	
Contacting Customer Service	

Section 1 – Introduction and System Requirements



Introduction

Congratulations on your purchase! The xMac Studio is a rackmount enclosure for Mac Studio™ computers and Sonnet Echo Thunderbolt expansion modules for PCIe cards. Through a module's PCIe slot(s), you may connect one or three non-GPU adapter cards to your Mac Studio to expand its capabilities and add connectivity beyond what's offered through its native ports.

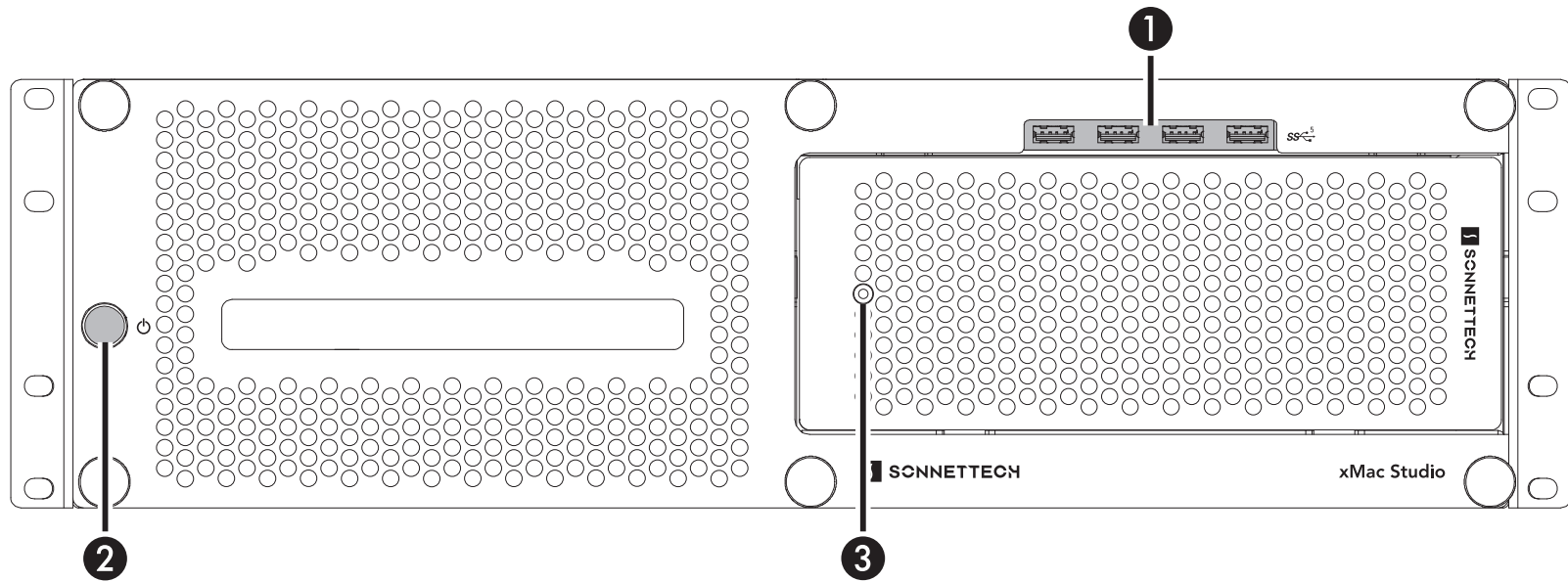
Mac® Compatibility

- Mac Studio computers with PCIe cards that have M1 processor-compatible drivers
- macOS® 12.3+

System Requirements

While Echo modules require no drivers beyond those pre-installed in your computer's OS, most expansion cards you install do; Thunderbolt-compatible drivers to enable them to work properly through the Thunderbolt interface are required. More information on which cards are compatible with the Echo III Module is available at: <https://sonnettech.com/support/>

Section 2 – xMac Studio Description



Front Panel

1 – USB Hub

This connects via a passthrough cable to one of the computer's back-panel USB ports, supporting connection of keyboards, mice, thumb drive, and other USB devices. Note that the total number of USB devices you can connect to the hub may be limited by the width of the devices' USB connectors.

2 – Power Switch

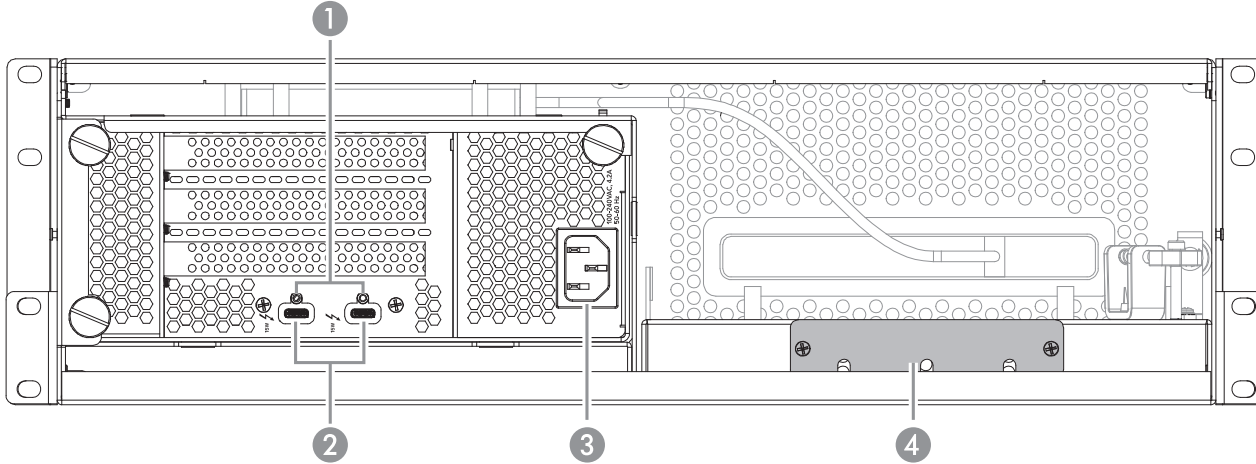
This button activates the Mac Studio's power switch; the installed Echo Module's power supply turns on and off along with the computer.

3 – Power Indicator LED

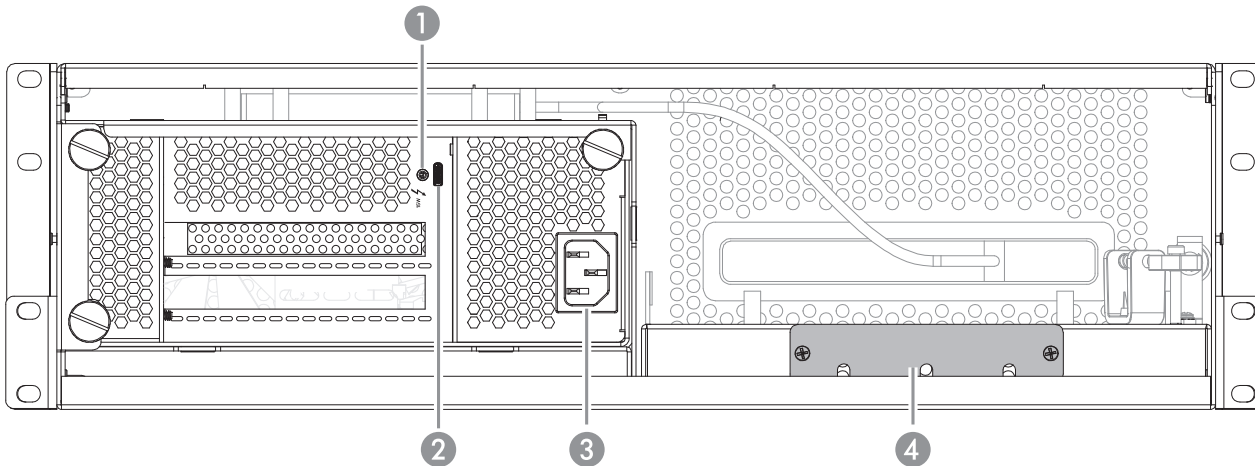
In systems including an Echo Module, this lights when the Echo Module is powered, the Thunderbolt cable between the module and your computer is plugged in securely, and the computer powered on.

Section 2 – xMac Studio Description

Back Panel — xMac Studio / Echo III



Back Panel — xMac Studio / Echo I



Support Notes: The xMac Studio / No Module system is not shown here.

The Echo III Module includes two Thunderbolt ports and two threaded nuts for the included Thunderbolt connector retainer clip; the Echo I Module only has one each.

1 – Threaded Nut(s) for ThunderLok 3

Attach the included Thunderbolt connector retainer clip here.

2 – Thunderbolt Ports

Connect the included (or comparable) Thunderbolt 3 (40Gbps) cable, or any Thunderbolt 4 cable, between one of these ports and one of your computer's Thunderbolt ports.

The Echo III Module's second Thunderbolt port may be used to connect to another Thunderbolt peripheral device, display(s), or USB device (when connected with the proper cable or adapter).

3 – Power Input Socket

Connect the included AC power cord here.

4 – Accessory Space Cover Plate

Remove this plate to insert your Thunderbolt™ or USB SSD (or other compact device) up to 3.2-inches (81 mm) wide by 0.75-inch (19.5 mm) tall, and then reinstall the plate to secure the device. Depending on its size, you may install more than one device

Section 2 – xMac Studio Description

Echo III Module Interior

1 – Slot 1

This is an x8 mechanical (x8 electrical) PCIe 3.0 slot.* It is also compatible with PCIe 4.0, 2.0, and 1.1 cards.

2 – Slot 2

This is an x16 mechanical (x8 electrical) PCIe 3.0 slot.* It is also compatible with PCIe 4.0, 2.0, and 1.1 cards.

3 – Slot 3

This is an x8 mechanical (x4 electrical) PCIe 3.0 slot.* It is also compatible with PCIe 4.0, 2.0, and 1.1 cards.

4 – PCIe Gen 3/Gen 2 (HDX) Mode Switch

This switch enables the use of Avid Pro Tools | HDX PCIe cards in the Echo Module; instructions follow.

5 – Thunderbolt Interface Card

This card is installed in its own slot and may not be moved to another.

6 – PCIe Slot Access Covers

These cover openings when PCIe slots are unoccupied.

7 – 6-Pin Auxilliary Power Connector and Cable

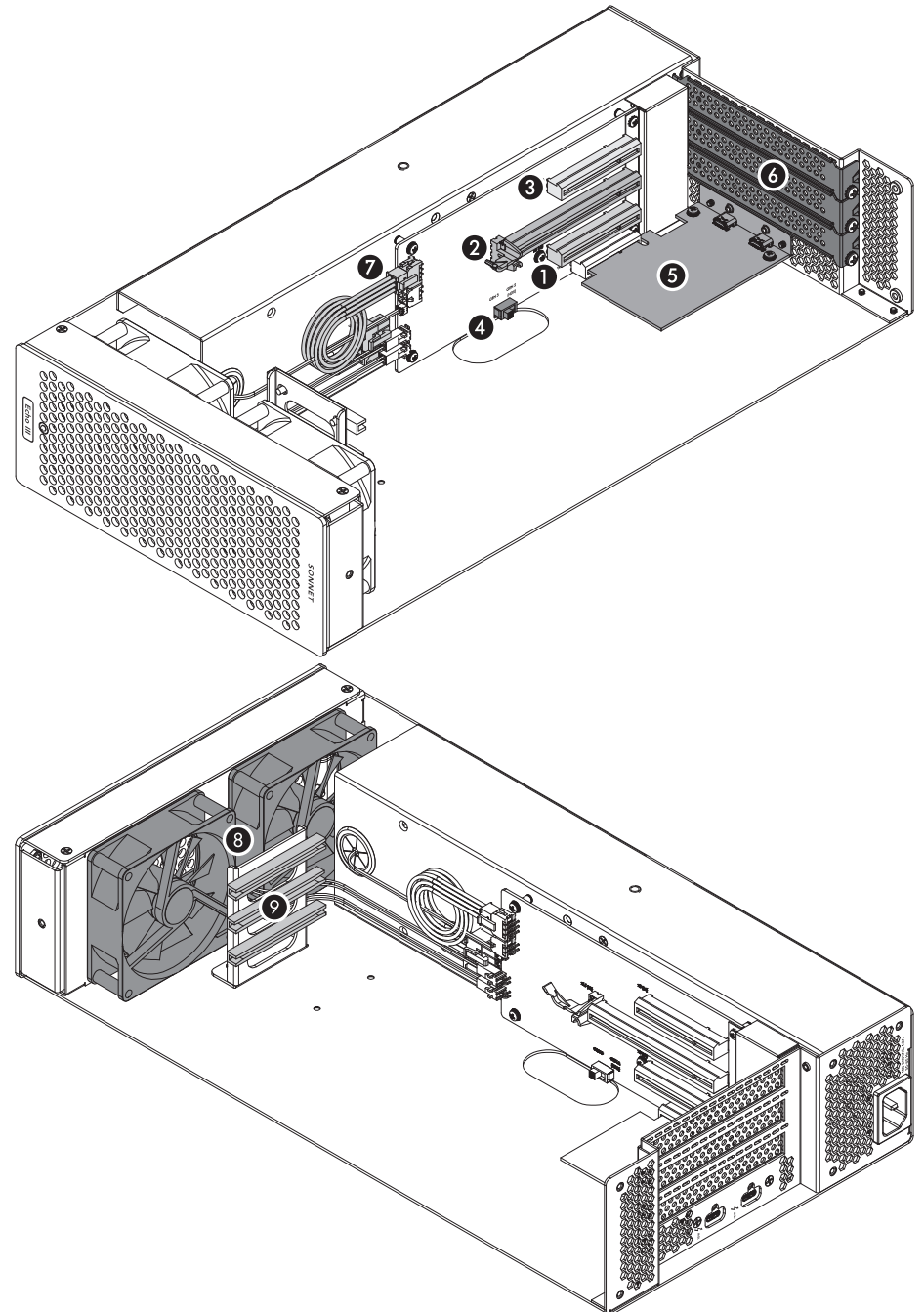
Plugged into this connector is the auxiliary power cable for cards requiring extra power. When installing Avid Pro Tools | HDX PCIe cards, disconnect the supplied cable and connect an HDX card's custom power cable in its place.

8 – Temperature-Controlled Fans

These provide cooling for the installed PCIe cards and the module's supporting Thunderbolt and power circuitry. They operate at a whisper when the cards are running cool, and automatically speed up in steps as the temperature rises. To prevent overheating, do not block the fans or the vent holes on the module.

9 – PCIe Card Guides

When installing full-length cards, use these to support and secure the cards.



* PCIe 2.0 slot when PCIe Gen 3/Gen 2 (HDX) Mode Switch set to Gen 2 (HDX) position.

Section 2 – xMac Studio Description

Echo I Module Interior

1 – Auxilliary Power Connectors

When auxiliary power is required, these connectors provide power to the installed card.

2 – PCIe Card Slot

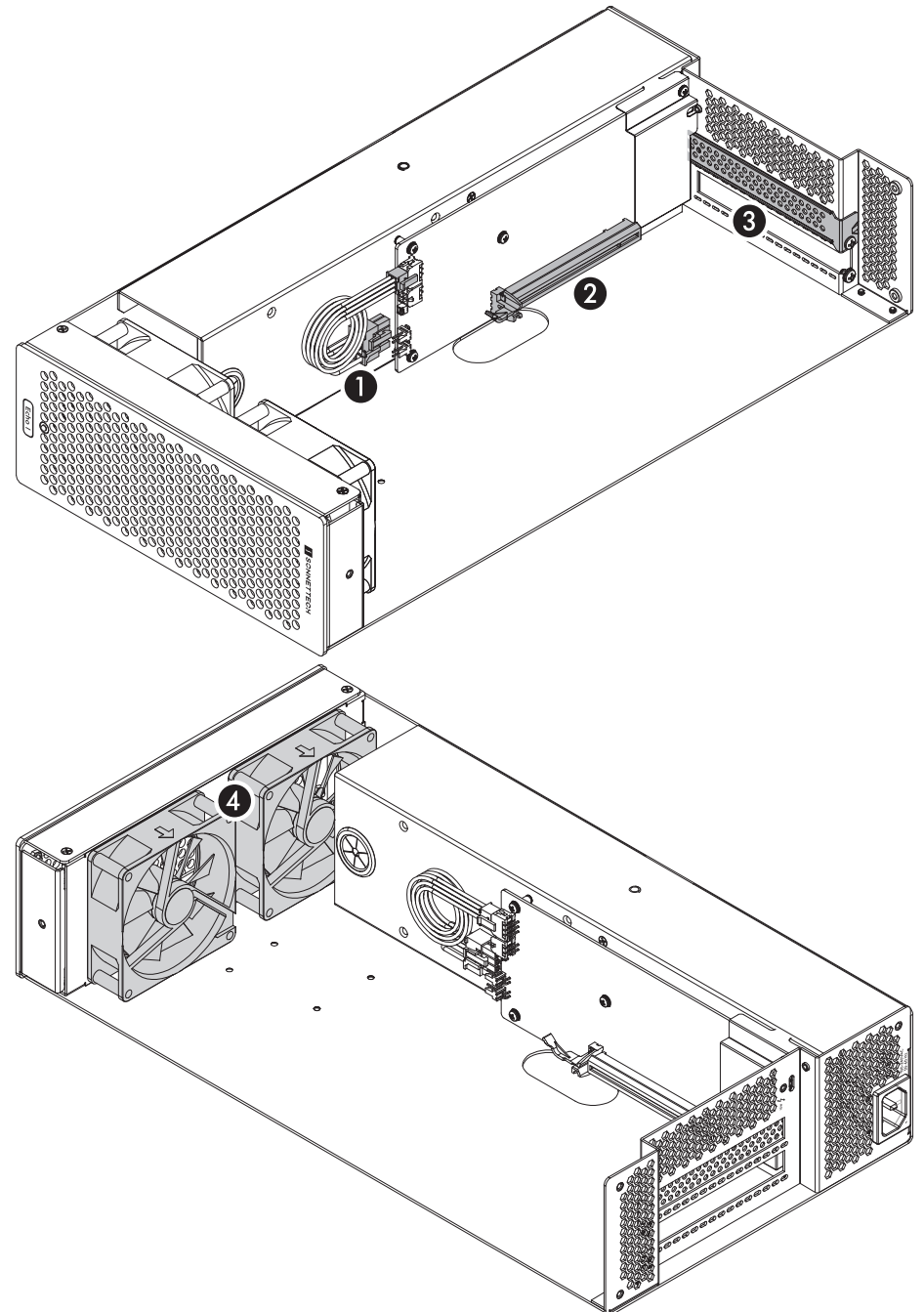
This is an x16 mechanical (x4 electrical) PCIe 3.0 slot. It is also compatible with PCIe 4.0, 2.0, and 1.1 cards.

3 – PCIe Slot Access Cover

Remove this cover when installing a double-width card. If a single-width card is installed, leave this in place.

4 – Temperature-Controlled Fans

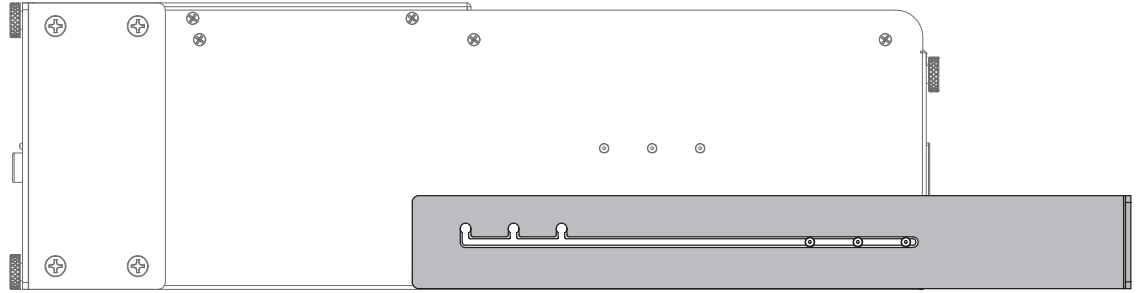
These provide cooling for the installed card and the module's supporting Thunderbolt and power circuitry. They operate at a whisper when the cards are running cool, and automatically speed up in steps as the temperature rises. To prevent overheating, do not block the fans or the vent holes on the module.



Section 2 – xMac Studio Description

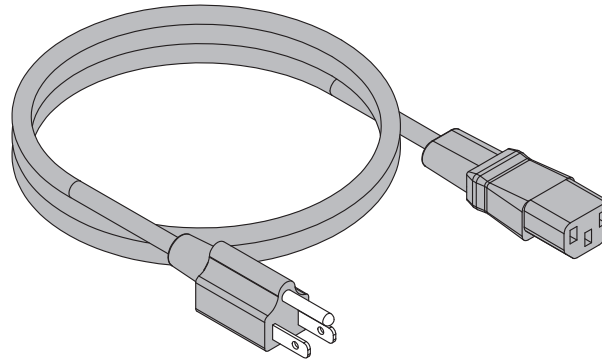
Rackmount Rails

You may remove and reposition the pair of included rackmount rails. When installed on the upper mounting pins, the rails support enclosure installation in racks with mounting depths ranging from 16–20.25 inches. When installed on lower mounting pins, the rails support enclosure installation in racks with mounting depths ranging from 19.75–24 inches.



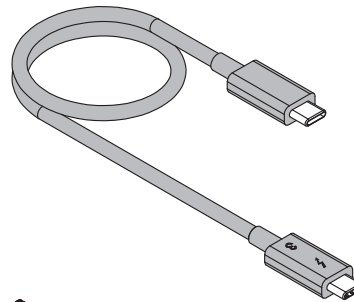
Power Cord

Included only with xMac Studio with an Echo Module, connect this between a power outlet and the power input socket on the Echo Module. Note that the power cord included with your product may appear different than the one pictured here, depending on where the product was purchased.



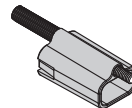
Thunderbolt 3 (40Gbps) Cable

Included only with xMac Studio with an Echo Module, connect this cable between a Thunderbolt port on the module and a Thunderbolt/USB4 port on your computer.



Thunderbolt 3 Connector Retainer Clip

Included only with xMac Studio with an Echo Module, this clip secures the Thunderbolt 3 connector plugged into one of the module's Thunderbolt ports to prevent accidental cable disconnection. This clip is compatible with Sonnet 0.5- and 0.7-meter Thunderbolt 3 cables.



Self-adhesive Magnet (not shown)

The magnet may be cut to size and affixed to Thunderbolt or USB SSDs or other devices (except for spinning drives) installed in the accessory space to secure them in place; instructions follow.

Section 3 – Computer Installation and Module Removal Steps

1. Remove the xMac Studio from its packaging, and then set it on a flat, level surface.
2. Remove and set aside the six thumbscrews securing the front panel to the rackmount enclosure (**Figure 1**).

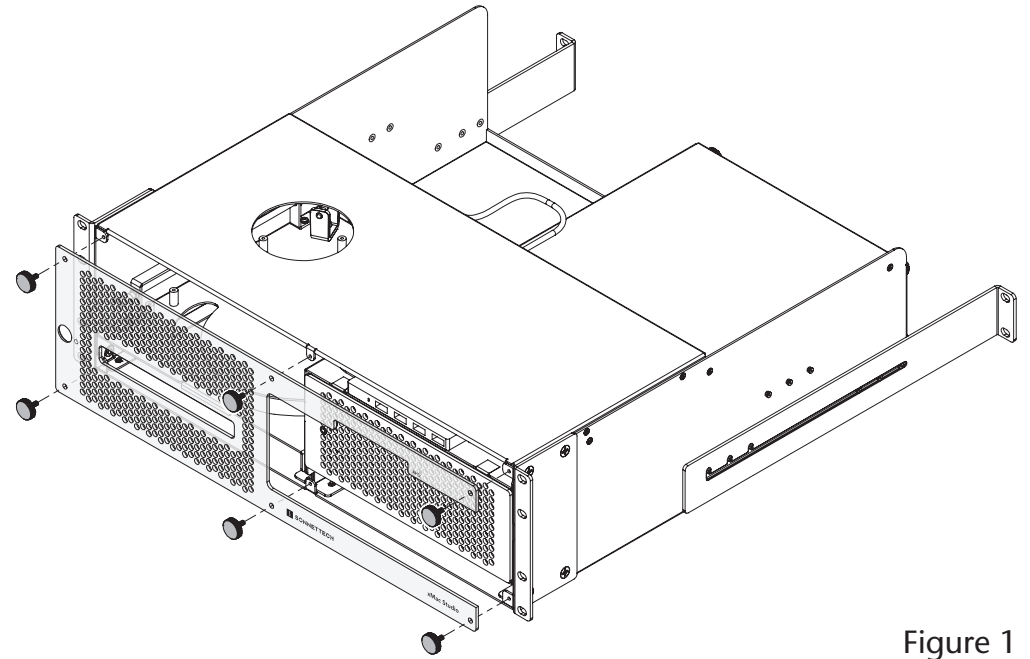


Figure 1

3. Remove your Mac Studio computer from its packaging, and then carefully insert it into the rackmount enclosure as shown. Push the computer in until it stops (**Figure 2**).

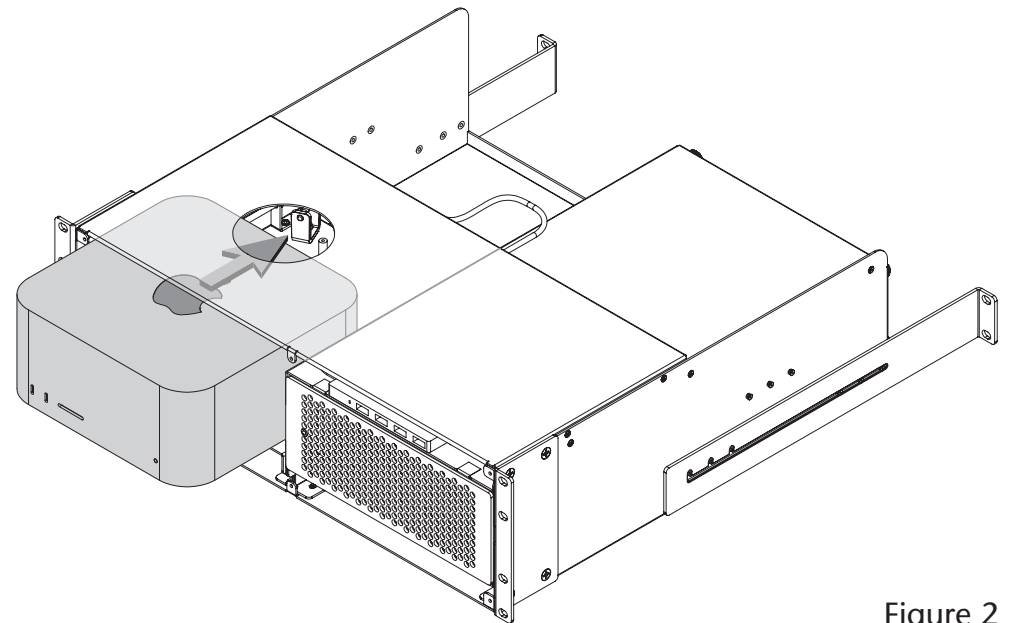


Figure 2

Section 3 – Computer Installation and Module Removal Steps

4. Connect the USB hub's cable to a USB-A port on the Mac Studio
(Figure 3).

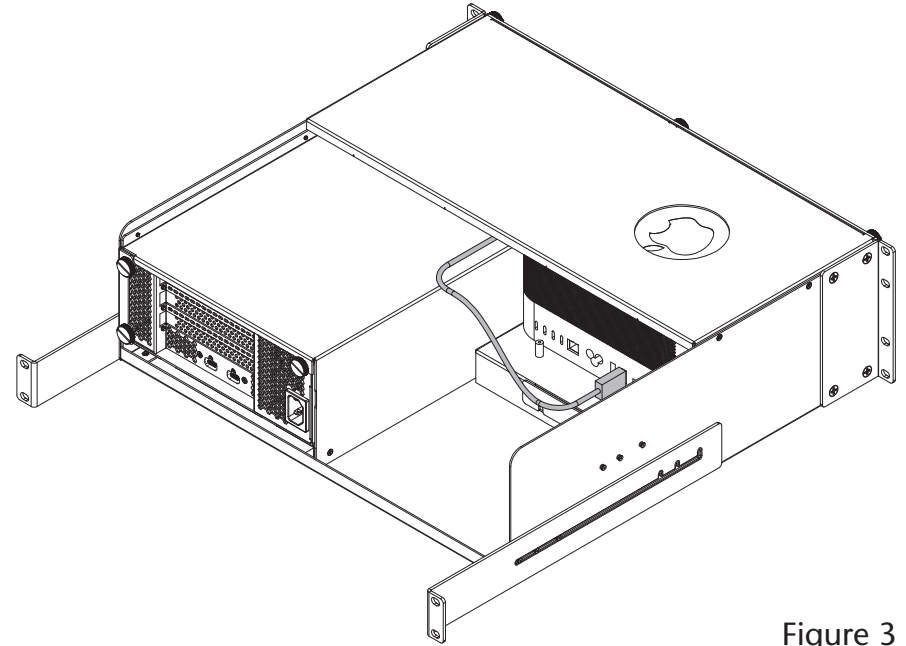


Figure 3

5. If you purchased an xMac Studio without an Echo Module, skip to the next page. Otherwise, remove the three thumbscrews securing the Echo Module to the rackmount enclosure (Figure 4).
6. Push the Echo Module out through the front of the enclosure (Figure 4).

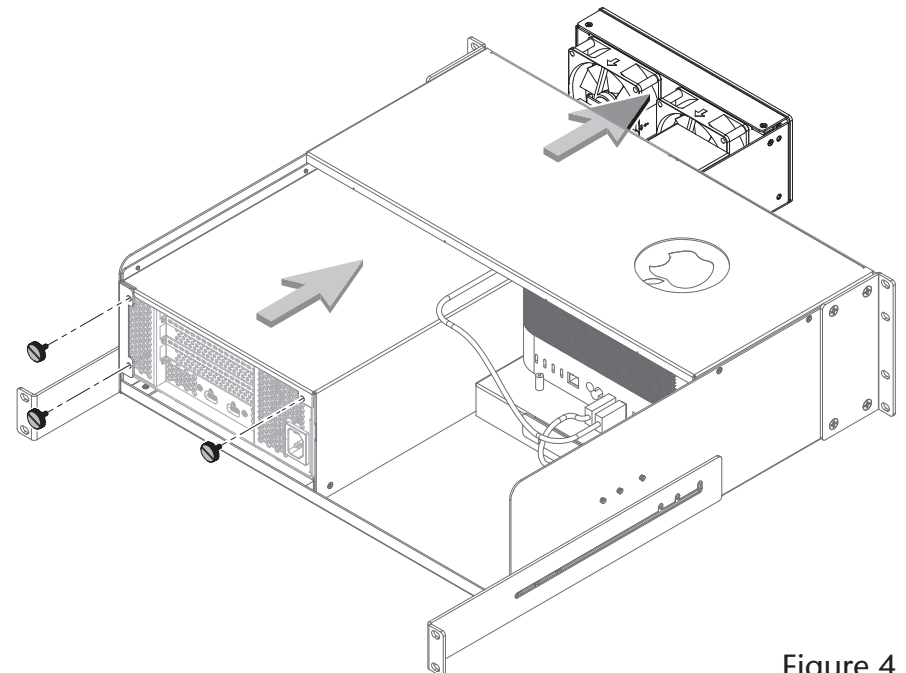


Figure 4

Section 4 – Echo III Module PCIe Card Installation Steps

This section covers the installation of PCIe cards into an Echo III Module. If you purchased an xMac Studio with an Echo I Module, skip to page 11.



Support Note: To avoid damaging components due to static electricity discharge, wear an antistatic wrist strap while working inside the Echo Module.

1. Remove and set aside the screw securing a PCIe slot access cover (Figure 5).
2. Remove and set aside the loose PCIe slot access cover (Figure 5).
3. If you are installing more than one card, repeat steps 1 and 2 as necessary with the remaining PCIe slot access covers.



WARNING: When handling computer products, take care to prevent components from being damaged by static electricity; avoid working in carpeted areas. Handle expansion cards only by their edges and avoid touching connector traces and component pins. Also, avoid touching the Echo III Module's circuit boards and any of its components.

4. **OPTIONAL STEP 1:** If you are *not* installing a PCIe card which requires auxiliary power, skip to step 6. Otherwise, locate the auxiliary power cable (Figure 6).

- When installing one or more Pro Tools | HDX PCIe cards, disconnect and set aside the power cable, replace it with the custom power cable included with an Avid card, and then move the loose connectors aside for later connection.
- When installing cards other than the Pro Tools | HDX, remove the cable twist tie securing the power cable, and then move the loose connector aside for later connection.

5. **OPTIONAL STEP 2:** If you are installing one or more Avid Pro Tools | HDX cards, move the Gen 3/Gen 2 (HDX) switch (Figure 6) to the Gen 2 (HDX) position to enable compatibility. Otherwise, the card(s) will not work in the Echo Module.

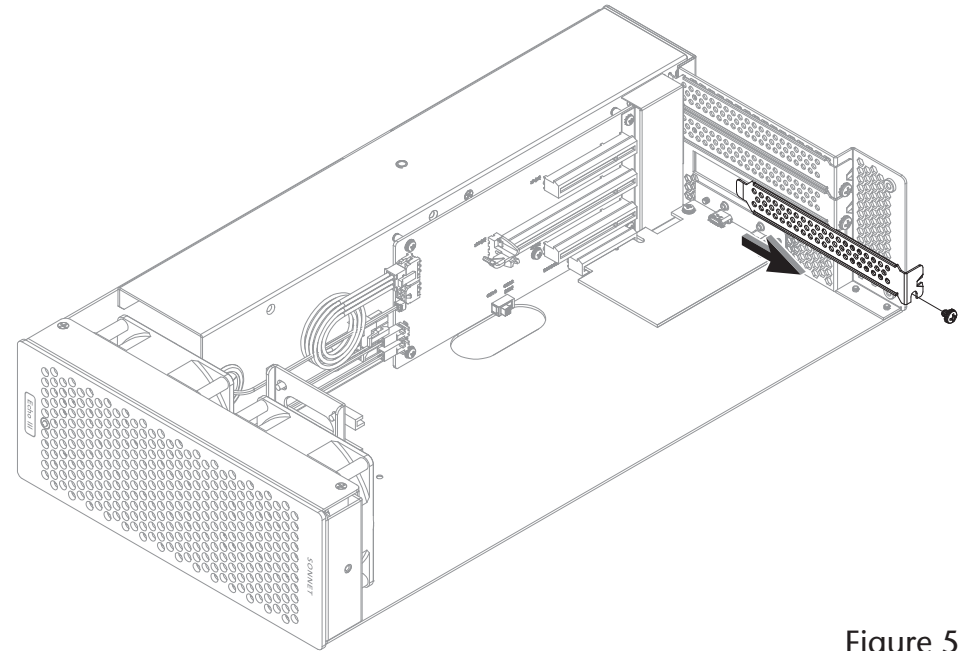


Figure 5

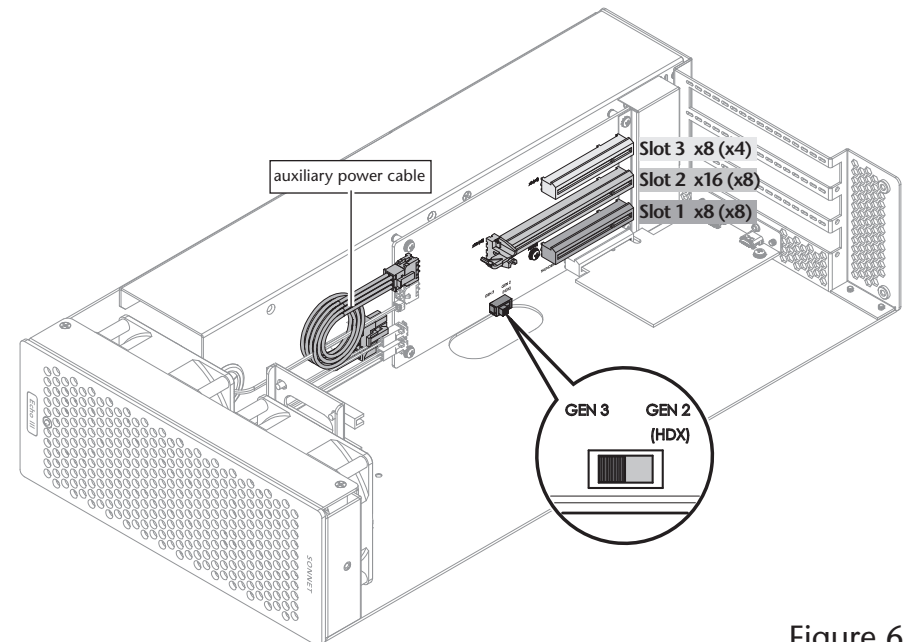



Figure 6

Section 4 – Echo III Module PCIe Card Installation Steps

6. Remove a PCIe card from its packaging, handling the card by its edges and without touching any components or gold connector pins.

 **Support Note:** If you are installing a x8 PCIe 1.1 card, installing it into slot 3 may result in reduced performance. We recommend you install it into either slot 1 or 2 for best performance.

7. Line up the card's connector with the slot, and then gently but firmly press the card straight into the slot; **do not rock the card or force the card into the slot**. If you encounter excessive resistance, check the card's connector and the slot for damage, and then try inserting the card again (**Figure 7**).
8. Repeat steps 6 and 7 as necessary with any remaining cards.
9. If you installed a card which requires auxiliary power, connect the auxiliary power connector to it now.
10. If there are any unoccupied slots, install the PCIe slot access covers you removed previously, and then secure the cards and slot covers using the previously-removed screws (**Figure 7**).
11. Skip to page 12.

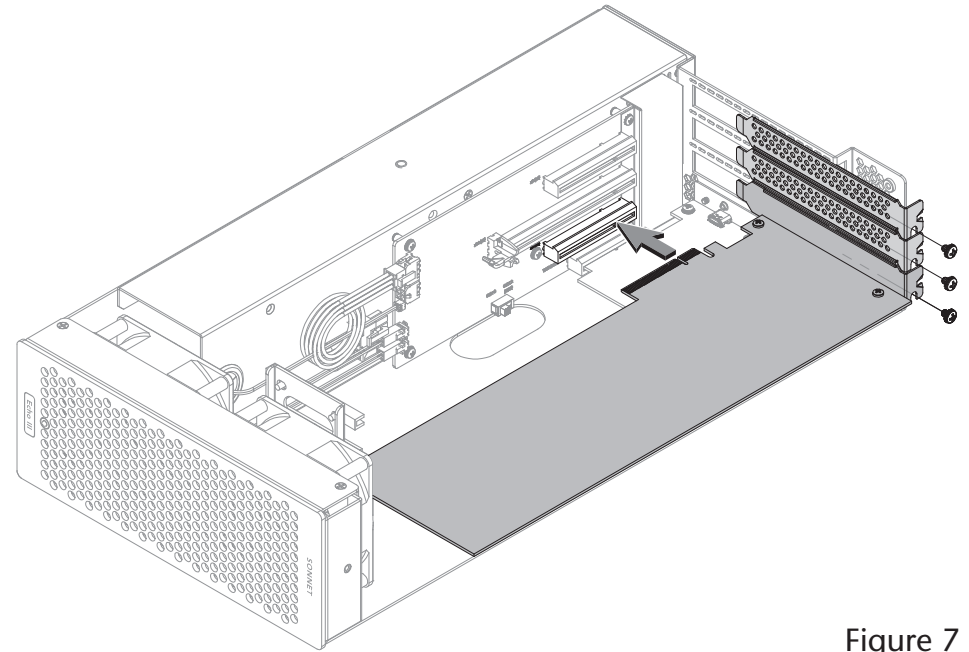




Figure 7


Section 5 – Echo I Module PCIe Card Installation Steps

 **Support Note:** To avoid damaging components due to static electricity discharge, wear an antistatic wrist strap while working inside the Echo I Module.

1. Remove and set aside the screw next to the PCIe slot access cover (**Figure 8**).
2. If you are installing a double-width card, or an additional daughter card, remove and set aside the screw securing the PCIe slot access cover, and then remove and set aside the cover (**Figure 8**).
3. **OPTIONAL STEP:** If you are *not* installing a PCIe card which requires auxiliary power, go to step 4. Otherwise, locate the auxiliary power cable (**Figure 9**).
 - When installing an Avid Pro Tools | HDX PCIe card, disconnect the power cable from the module and set it aside, replace it with the custom power cable included with the Avid card, and then move the loose connectors aside for later connection.
 - When installing a card other than the Pro Tools | HDX, remove the cable twist tie securing the power cable, and then move the loose connector aside for later connection.

 **WARNING:** When handling computer products, take care to prevent components from being damaged by static electricity; avoid working in carpeted areas. Handle expansion cards only by their edges and avoid touching connector traces and component pins. Also, avoid touching the Echo I Module's circuit boards and any of its components.

4. Remove the PCIe card you're installing from its packaging, handling the card by its edges and without touching any components or gold connector pins.
5. Line up the card's connector with the slot, and then gently but firmly press the card straight into the slot; **do not rock the card or force the card into the slot**. If you encounter excessive resistance, check the card's connector and the slot for damage, and then try inserting the card again (**Figure 9**).
6. Secure the card using the screw(s) you removed previously; do not overtighten the screw(s) (**Figure 9**).

 **Support Note:** The Echo I Module includes an "8-pin" auxiliary power connector comprised of a 6-pin plus 2-pin connector pair. To create an 8-pin connector, slide the 6-pin and 2-pin connectors together as shown (**Figure 9**).

7. If required, connect the auxiliary power connector(s) to the installed card; make sure the connectors are plugged in securely. Proceed to the next page.

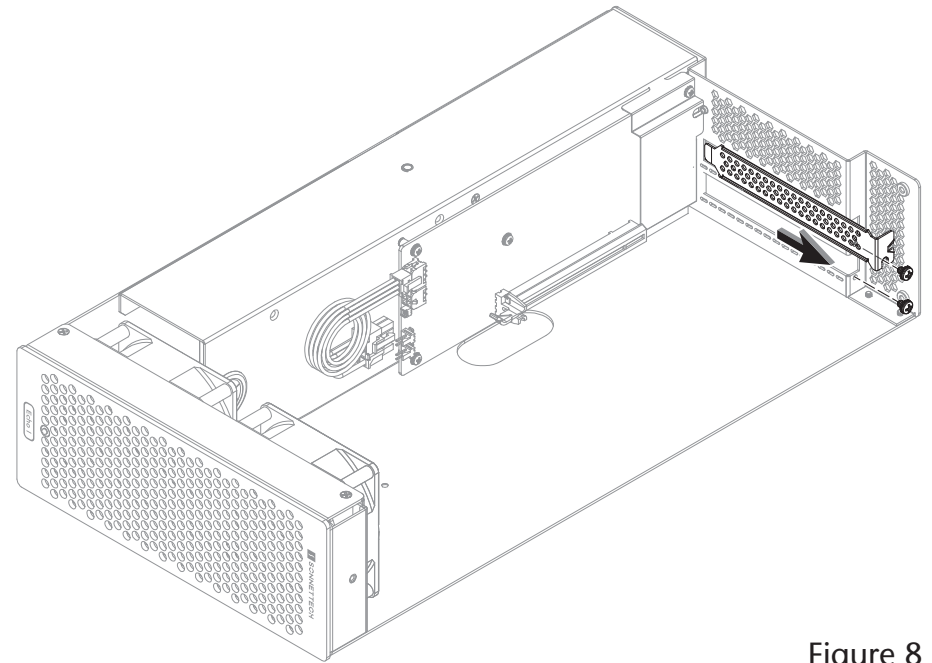


Figure 8

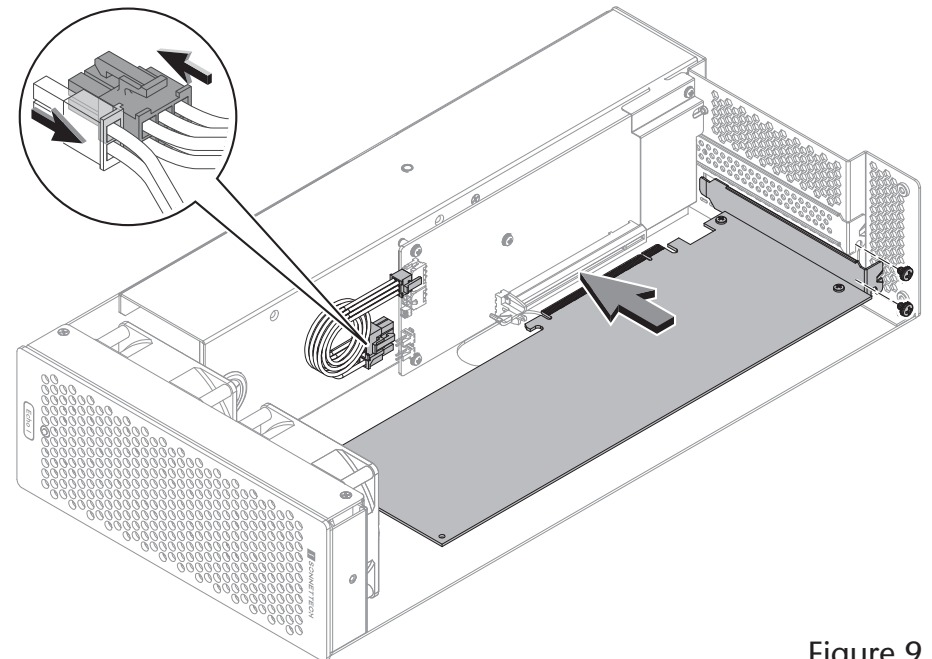


Figure 9

Section 6 – Echo Module Installation Steps

1. Insert the Echo Module into rackmount enclosure (Figure 10).
- 2 Using the three thumbscrews you removed previously, secure the Echo Module to the enclosure; **do not overighten the screws** (Figure 10).

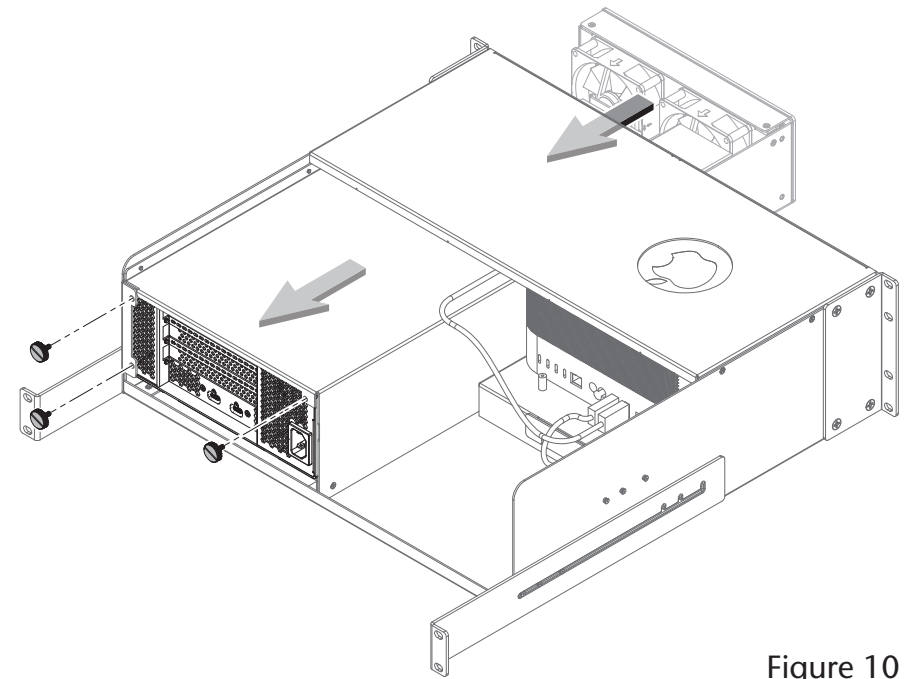



Figure 10

 **Support Note:** Sonnet's ThunderLok™ 3 Thunderbolt connector retainer clip secures the included Thunderbolt 3 cable to the module to prevent accidental disconnects. This clip is compatible with Sonnet 0.5- and 0.7-meter Thunderbolt 3 cables.

To attach the clip to the cable, remove both items from their packaging, and then insert the connector into the connector clip as shown (Figure 11). Note that the connector will pass all the way through the clip; when you connect the cable to the module, the clip will secure the connector.

3. Connect the included (or comparable) Thunderbolt 3 (40Gbps) cable, or any Thunderbolt 4 cable, between the Thunderbolt port on the Echo Module and a Thunderbolt port on the back of your computer (Figure 11). Secure the retainer clip to the module if you attached it.

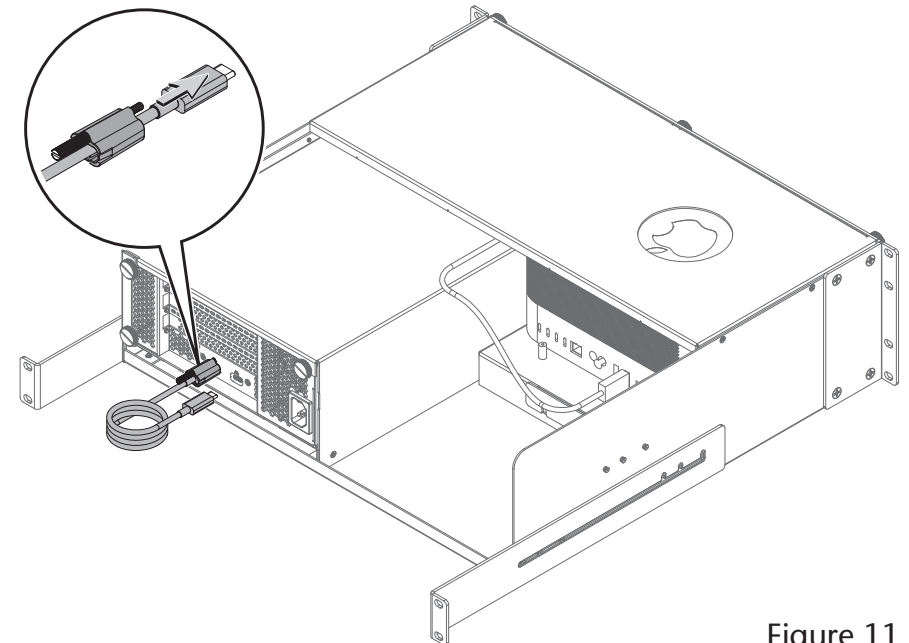


Figure 11

Section 7 – Accessory Installation Steps (Optional)

The following two pages explain how to utilize the space beneath the computer to install Thunderbolt or USB SSDs or other accessories. If you are not going to install an accessory, skip to page 15.

1. Using a Phillips screwdriver, remove the screws securing the accessory space cover plate to the back of the enclosure beneath the computer, and then set the screws and plates aside (Figure 12).

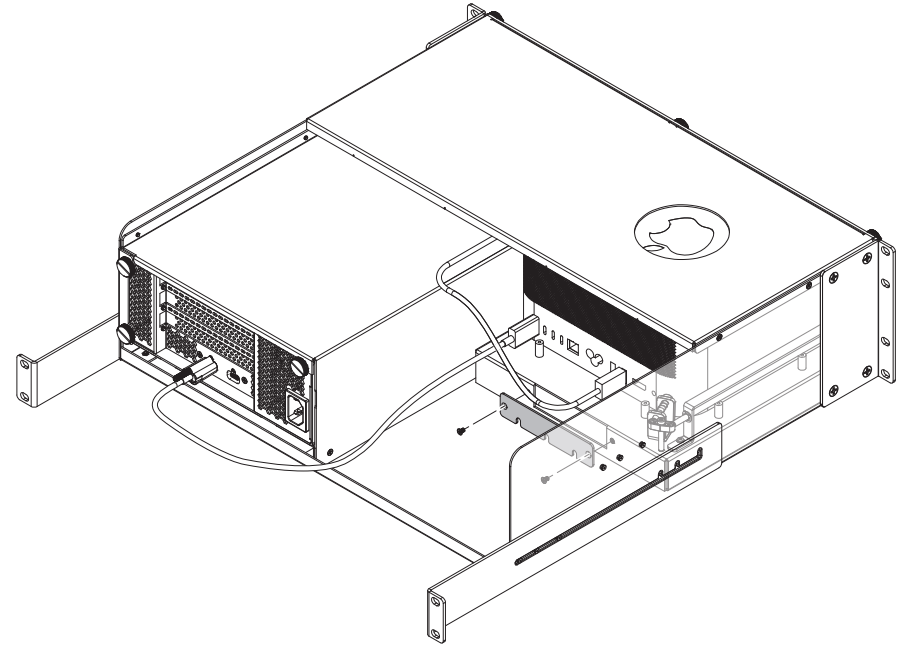



Figure 12

 **Support Notes:** If the rack or case the xMac Studio is installed in will be moved around, you should secure any drives or other devices you install inside the enclosure. If you are installing spinning drives, you should use double-sided tape (sold separately) to secure them. If you are installing SSDs or some other device, you may use the included self-adhesive magnet to secure them. *Do not use the supplied magnet to secure spinning drives.*

If necessary, the magnet may be cut to size to fit the devices they are attached to.

2. OPTIONAL STEP: If you are installing something other a spinning drive (and you need to secure it), remove the protective backing from the supplied magnet and then apply it to the bottom of the device (Figure 13).

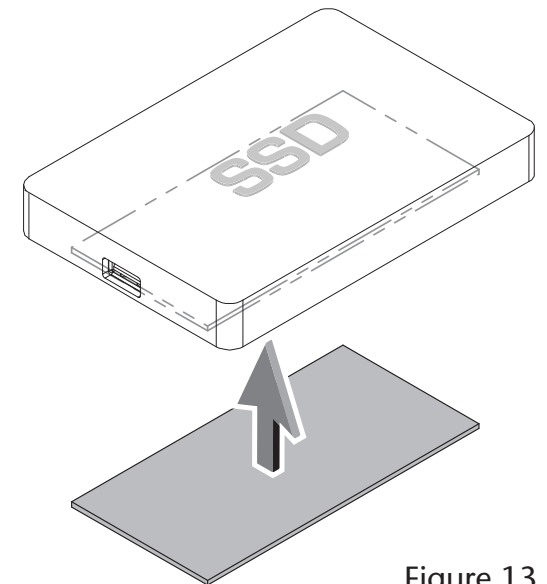


Figure 13

Section 7 – Accessory Installation Steps

3. Insert the device into the space beneath the computer, placing it far enough back so that the device's cables may be routed through the cover plates (Figure 14).
4. Connect the device to the computer (Figure 14). If you are installing additional devices, do so now.

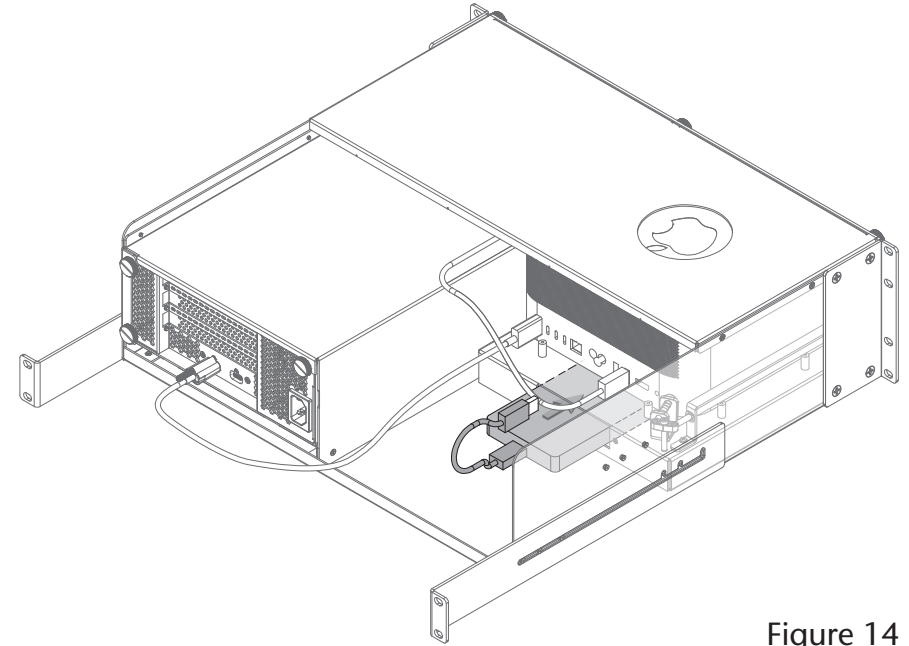


Figure 14

5. Using the previously removed screws, secure the cover plate to the enclosure (Figure 15).



Support Note: It is important to reinstall the cover plate in order to prevent the Mac Studio from drawing in warm air through the accessory space opening.

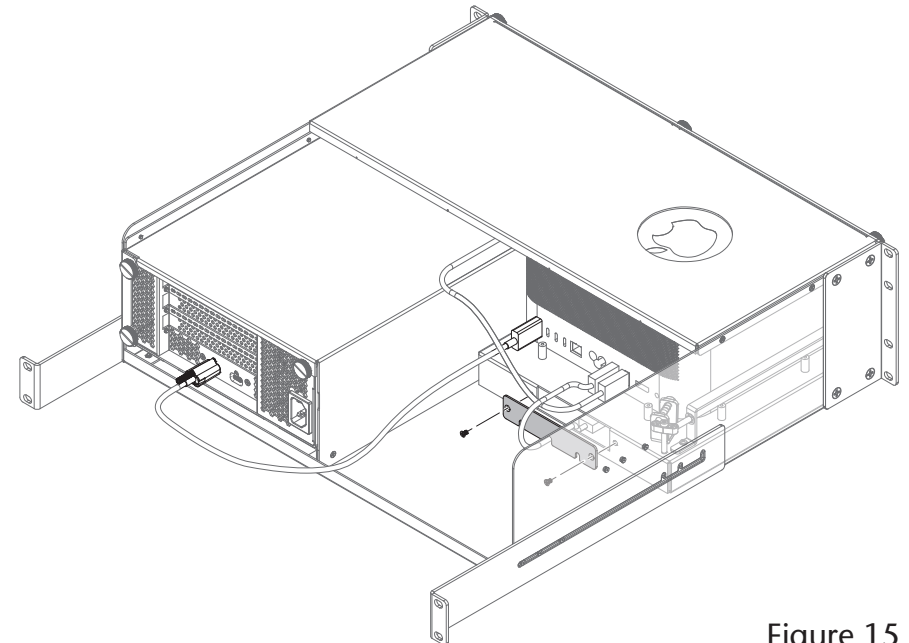


Figure 15

Section 8 – Final Assembly and Enclosure Installation Steps

1. Using the six thumbscrews you removed previously, secure the front panel to the enclosure; **do not overtighten the screws** (Figure 16).

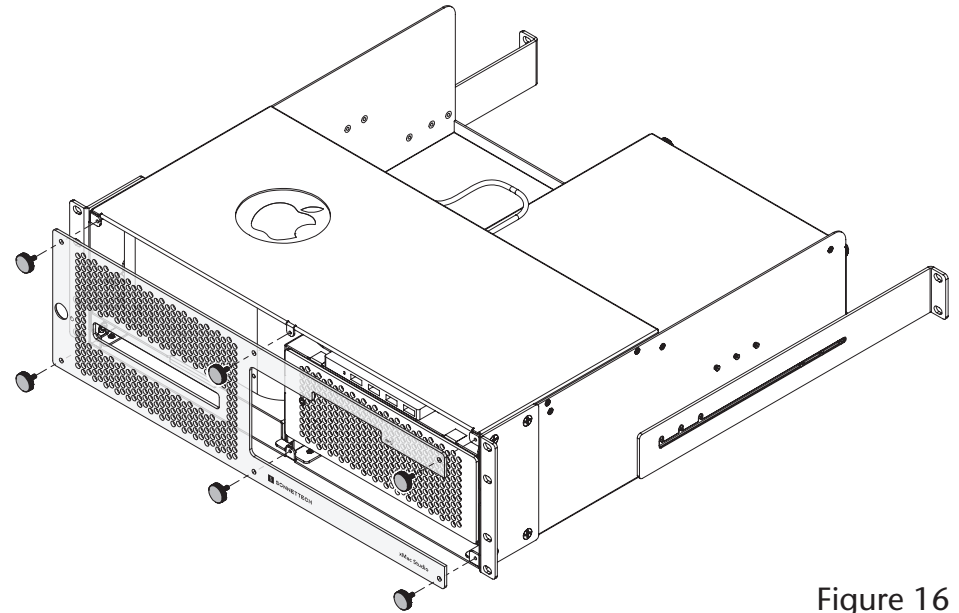


Figure 16

2. Adjust or remove the rackmount extension rails on the rackmount enclosure as necessary (Figure 17).
3. Install the assembled xMac Studio into its rack or case.
4. Connect interface and power cables between devices, PCIe cards, and the computer as necessary.
5. Connect the power cord included with the Echo Module between a wall outlet or power strip and the module's power socket. Note that the Echo Module's power indicator will not light until the computer is powered on.

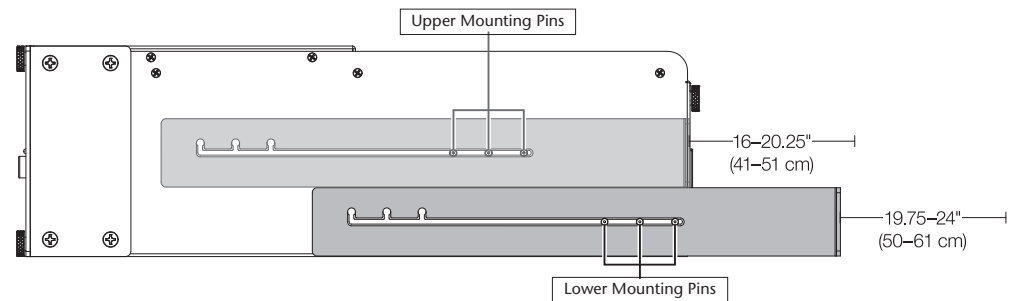



Figure 17

 **Support Note:** If you haven't set up your Mac Studio, you will need to connect a monitor, keyboard, and mouse to complete those steps.


Section 9 – Complete Setup and Configuration

ECHO MODULE SETUP AND CONFIGURATION STEPS

This page instructs you how to verify the Echo Module and installed cards are recognized by the computer.


A – Confirm the Echo Module is Recognized

1. With the Echo Module powered and connected to the computer, turn on the computer.
2. Press and hold down the Option key, and then from the Apple menu, select System Information; a *System Information* window will open.
3. In the *System Information* window, click Thunderbolt/USB4 under the Hardware header in the left column (Figure 17). In the top right column under the Thunderbolt/USB4 Device Tree header, you will see Thunderbolt/USB4 Bus, and then “DuoModo Echo III Module” or “DuoModo eGPU Module (for the Echo I Module).

 **Support Note:** If “DuoModo Echo III Module” or “DuoModo eGPU Module” is not listed, disconnect and reconnect the Thunderbolt cable between the computer and module. Note that it is not necessary to shut down the computer before disconnecting and reconnecting the cable.

B – Confirm the Installed Cards are Recognized

1. In the *System Information* window click PCI under the Hardware header in the left column (Figure 10).
2. At the top of the right column, installed cards (and/or card controllers) are listed (if not, you may need to install drivers before the cards are recognized). Click one of the cards; you should see “Yes” next to Driver Installed and Tunnel Compatible, otherwise the card or driver may not be Thunderbolt- or M1 processor-compatible (Figure 10).

 **Support Note:** While Echo Modules don’t require drivers beyond those pre-installed in your computer’s OS, installed cards require Thunderbolt-compatible drivers to enable their use.

C – Install Card Drivers (If Necessary)

1. Launch a web browser, and then go to your card manufacturer’s website. Download and install the latest drivers according to the manufacturer’s directions.
2. Restart your computer; your Echo Module is ready to use!

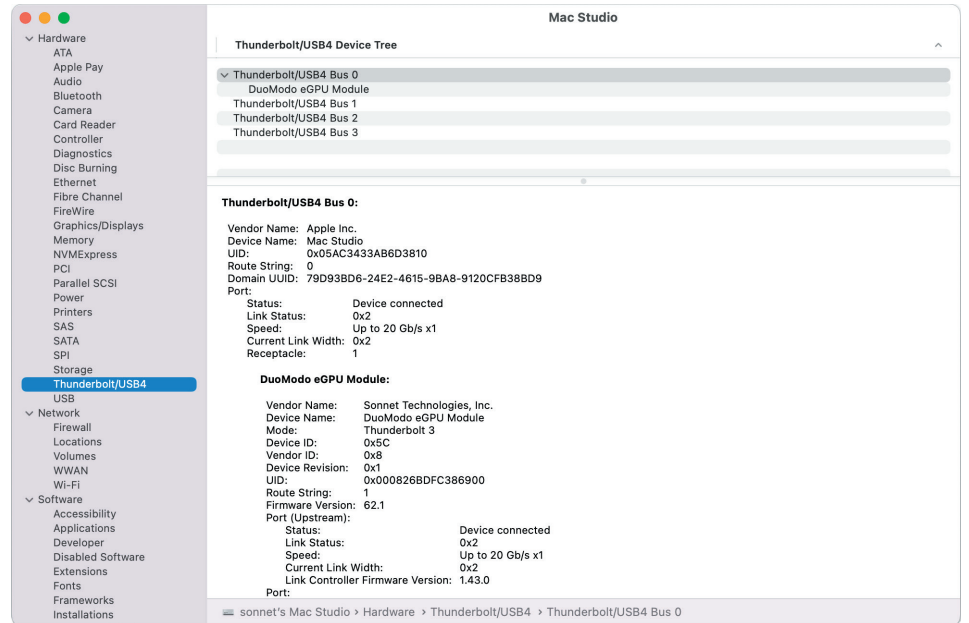


Figure 17

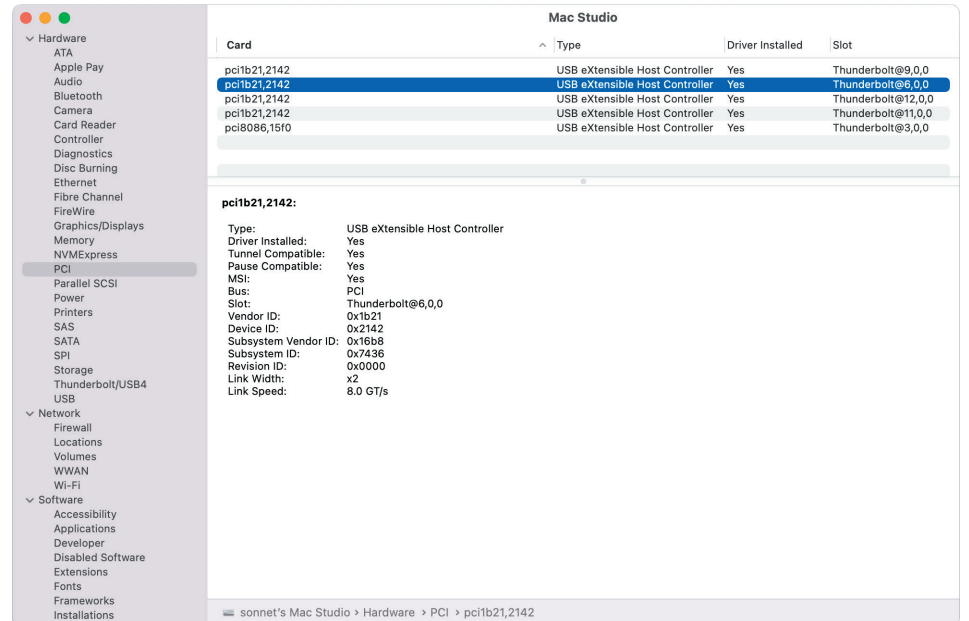


Figure 18

Section 10 – Tips, General Information, and Known Issues

TIPS, GENERAL INFORMATION

Keeping the Cards Cool

With its optimized airflow design and temperature-controlled fan providing cooling at all times, an Echo Module provides adequate cooling for the installed cards. *Do not operate the Echo Module outside of its enclosure, and do not block any of the vents!* Otherwise, the installed cards and Echo Module's components may overheat.

Hot Plugging the Echo Module

When certified Thunderbolt-compatible cards (used with Thunderbolt-compatible drivers) are installed, you may connect and disconnect the module while the computer is on. Of course, if you have anything connected to the cards, such as storage devices, cameras, etc., follow proper procedures for disconnecting those devices before unplugging the Echo Module.

There's No Need to Unplug the Power Cable

Because an Echo Module automatically powers on and off with the computer to which it's connected, there's no power switch, nor is there any need to disconnect the power cable under normal use.

Power Indicator LED Operation

The module automatically powers on and off with the computer to which it's connected, and its power indicator only lights when the computer is on and turns off when the computer is sleeping or powered off.

Connecting Additional Thunderbolt Peripherals

The Echo III Module includes two Thunderbolt ports; the first is reserved for connection to your computer, while the second supports daisy-chaining of up to five additional Thunderbolt peripheral devices.

Using Expansion Cards Without Installing Drivers

Some Thunderbolt-compatible expansion cards, like Sonnet's Allegro™ Pro USB 3.2 PCIe cards, use inbox (built into the operating system) drivers, and are ready to use out of the box.

Replacing a PCIe Card After Initial Installation

Shut down the computer, and then disconnect the power cord and Thunderbolt cable from the Echo Module before opening the chassis and replacing the card; **PCIe cards are not hot-pluggable!**

Echo III Module Provides Downstream Power

The Echo III Module can provide up to 15 watts to bus-powered Thunderbolt peripheral devices, enabling them to operate without connecting an additional power adapter.

How to Identify Thunderbolt 3 (40Gbps) Cables

Look for the Thunderbolt icon (⚡) AND the number 3 on the connector housings to identify these cables. Aside from Thunderbolt cables from Apple, USB-C cables with connectors that only have the Thunderbolt icon without the number 3 may only support 20Gbps speeds, and are not recommended for use with the Echo Module. Cables marked with a generic USB icon (🔌) are NOT compatible for connecting the Echo Module to the computer.

Thunderbolt 4 Cable Compatibility

You may use Thunderbolt 4 cables with Thunderbolt 4 or Thunderbolt 3 computers and peripherals without any compromise in performance or functionality.

Not All Mac-Compatible Cards Work With Mac Studio

While this product is compatible with M1 series processors, not all PCIe cards that work with Intel-based Macs have M1-compatible drivers. We recommend that you contact your PCIe card's manufacturer to verify that the existing drivers support M1 Macs.

KNOWN ISSUES

Not all PCIe Cards Will Perform at 100%

Thunderbolt 3's PCIe bandwidth is limited to 2,800 MB/s. While most cards will operate at full performance, some may not because they require more bandwidth than Thunderbolt 3 can provide.

Not All Thunderbolt Cables Deliver Full Performance

Full performance from the Echo Module requires the use of the included (or comparable) Thunderbolt 3 (40Gbps) cable, or any Thunderbolt 4 cable. When shopping for a Thunderbolt 3 cable, please be aware that some support only lower data transfer speeds (20Gbps).

Operating System (OS) Updates May Break Compatibility

Specific device drivers that work under one OS version may not work under a later version. Before updating your computer to the latest OS, we recommend that you contact your PCIe card's manufacturer to verify that the existing drivers work. Note that other computer software updates may also break compatibility.

Section 11 – Precautions, FCC Compliance, and Support Information

SAFETY PRECAUTIONS

Please read this section carefully before proceeding. These precautions explain the correct and safe use of this device, thereby helping to prevent injury to you or others, and also help you to minimize the risk of damaging the device.

- Do not attempt to modify the enclosure. If this device appears to be malfunctioning, contact your reseller or local distributor.
- Do not drop the chassis; dropping or mishandling chassis may result in a malfunction leaving the product inoperable.
- Do not insert foreign objects inside the slots.
- Do not expose the device to rain, use it near water or containers that contain liquids which might spill into any openings, or in damp or wet conditions.
- If unusual smells, sounds, or smoke come from the device, or if liquids enter it, unplug it from the electrical outlet immediately.
- Follow the instructions in this manual carefully; contact your reseller or local distributor for additional advice not covered in this User's Guide.

FCC Compliance

xMac Studio complies with Part 15 of the FCC Rules. Operation is subject to the following two conditions: This device may not cause harmful interference, AND this device must accept any interference received, including interference that may cause undesired operation.

Contacting Customer Service

The Sonnet Web site located at www.sonnettech.com has the most current support information and technical updates. Before contacting Customer Service, please check our Web site for the latest updates and online support files, and check this Quick Start Guide for helpful information.

Email support requests generally receive the fastest responses, and are usually processed within a 24-hour period during normal business hours, excluding holidays. When you contact Customer Service, have the following information available so the customer service staff can better assist you:

- Product name
- Computer model
- PCIe card model(s)
- Operating system version
- A macOS System Report, along with a description of the issue(s) you are encountering with your device

If further assistance is needed, please contact **Sonnet Customer Service** at:

E-mail: support@sonnettech.com

Tel: 1-949-472-2772

(Monday–Friday, 9 a.m.–5 p.m. Pacific Time, excluding holidays)

Japan Customers

Contact Sonnet Customer Service Japan at:

E-mail: jp.support@sonnettech.com