

Installation Instructions

for MacCuff Studio



Support Note: This document was up to date at the time of printing. However, changes to the hardware or software may have occurred since then. Please check the Sonnet website for the latest documentation.

1. Go to <https://www.sonnettech.com/support/kb/kb.php>
2. Navigate to and click the MacCuff Studio link.
3. Click the Manual link.
4. Click the MacCuff Studio Installation Instructions [English] link and then check the Document Version information. If the version listed is later than this document (**revision B**), click the Download Now button for the latest version.

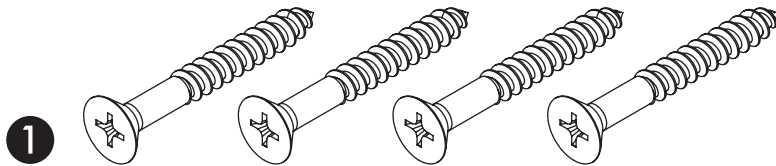
This Page Left Intentionally Blank

Package Contents

In addition to the MacCuff Studio mounting bracket and locking bar (not shown), the following items are included in your package. *Some items shown here may appear different from the ones included in your package.*

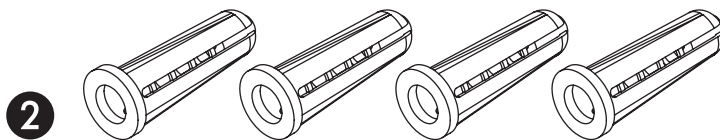
1 – 1-1/2 inch Wood Screws

Use these along with the drywall anchors to secure the MacCuff Studio bracket to a wall. Unless screwing into a stud, never use these without drywall anchors.



2 – Drywall Anchors

Use these as necessary when installing the bracket to a wall.



3 – 3/4-inch Wood Screws

Use these screws to secure the bracket to a desk or shelf.



4 – Phillips Head Screw

As shipped, this screw is pre-installed and holding the locking bar in place during shipping. Use this screw to secure the locking bar to the bracket to provide basic security.



5 – T8 Torx Screw

Use this screw in place of the included Phillips head screw to secure the locking bar to the bracket to provide improved security.



6 – Magnetic Phillips Screwdriver Bit

Use this bit with a power drill or screwdriver (not included) to drive provided wood screws in to secure the bracket to a wall, desk, or shelf.



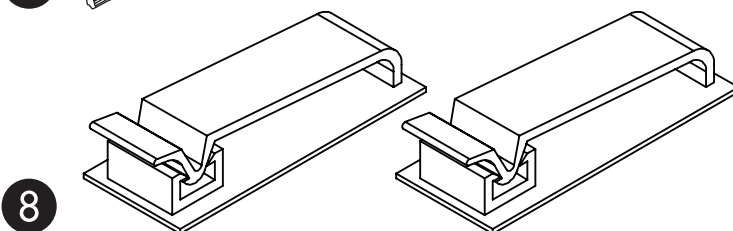
7 – T8 Torx Screwdriver Bit

Use this bit with a magnetic-tip screwdriver (not included) with the included Torx screw to secure the locking bar to the bracket.



8 – Cable Management Clips

Use these to help organize cables connected to your Mac Studio.

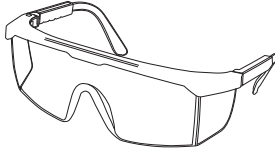


What You Will Need to Install MacCuff Studio

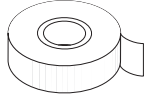
For Under-Desk or Under-Shelf Installation

To install the MacCuff Studio to the bottom of a desk or shelf, you should have the following items ready (all sold separately).

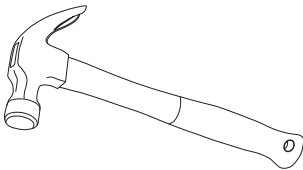
Safety Glasses



Painter's or Masking Tape



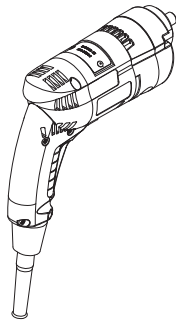
Hammer



Center Hole Punch



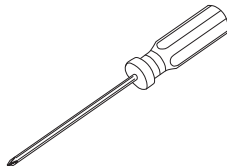
Corded or Battery-Powered Electric Drill



Drill Bit (See Instructions for Recommended Size Details)



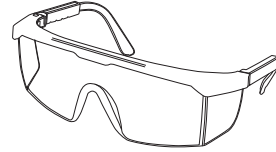
#1 Phillips Screwdriver



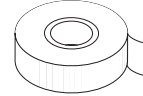
For Wall Mounting

To install the MacCuff Studio on a wall, you should have the following items ready (all sold separately).

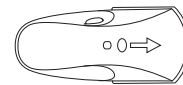
Safety Glasses



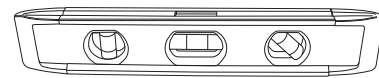
Painter's or Masking Tape



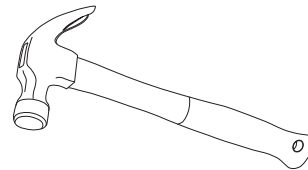
Stud Finder



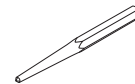
Level



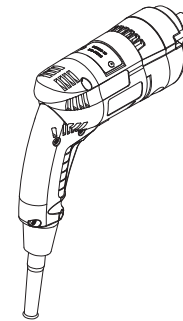
Hammer



Center Hole Punch (Optional)



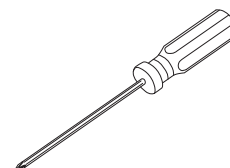
Corded or Battery-Powered Electric Drill



3/32 -inch (2.5 mm) and 5/16-inch (8 mm) Drill Bits



#1 Phillips Screwdriver



Under-Desk/Under-Shelf Installation Steps

This section covers the steps to install the MacCuff Studio to the bottom of a desk or shelf. For wall mounting instructions, skip to page 6.



WARNING: Due to the Mac Studio computer's weight, plus the weight of connected cables, it is critical you attach the MacCuff Studio bracket to a good solid surface. Do not install the bracket on a surface less than 1" (2.5 cm) thick (Figure 1).

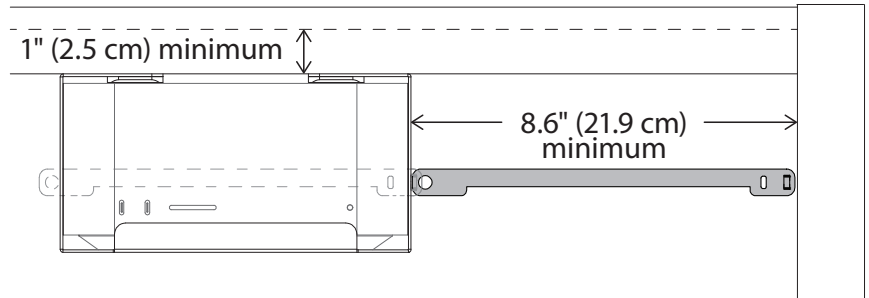


Figure 1

1. Choose a mounting location for the MacCuff Studio bracket. Be sure to select a position with at least 8.6 inches (21.9 cm) of clearance on the right side of the bracket (Figure 1).



Support Note: Tape the drill template to the surface so the back of the bracket (where the locking bar is installed) faces away from you when installed.

2. Tape the drill template (last page of this document) as shown to the surface you will attach the bracket (Figure 2).
3. Using a center punch and hammer, make a dimple in the wood surface through the center of each of the four holes indicated in the drill template. This will help keep the drill bit centered as you drill pilot holes.
4. Using either a 3/32-inch (2.5 mm) drill bit for softwood or 1/8-inch (3 mm) drill bit for hardwood, drill four 5/8-inch (1.6 cm) deep pilot holes through the drill template as shown (Figure 2).



Support Note: Wrap the drill bit with tape 5/8" (1.6 cm) from the tip to help you drill to the correct depth (Figure 2).

5. Remove the drill template.

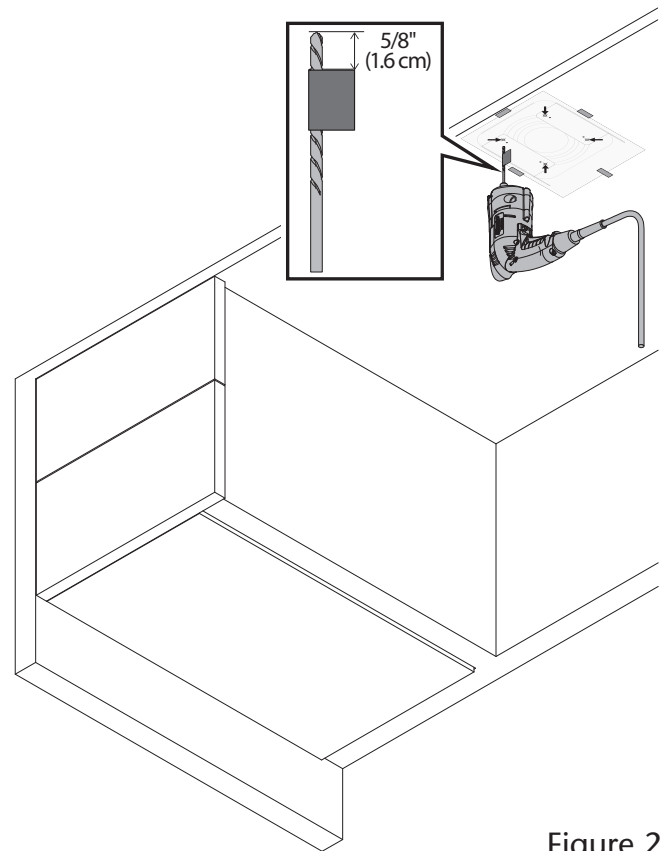


Figure 2

6. Remove the MacCuff Studio bracket from its packaging. Using a #1 Phillips screwdriver, remove the screw securing the locking bar to the bracket, remove the bar, and then set aside the screw, bar, and screwdriver (Figure 3).

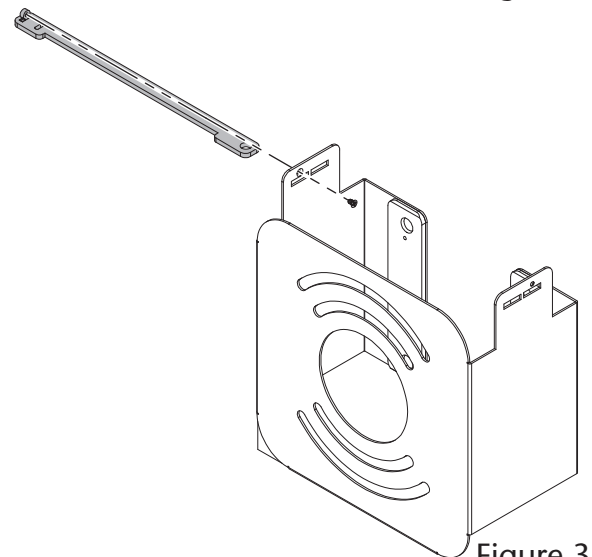


Figure 3

Under-Desk/Under-Shelf Installation Steps

7. Insert the included magnetic Phillips screwdriver bit into your drill.
8. Insert the screwdriver bit through the bottom of the bracket and then balance an included 3/4-inch wood screw on its tip (Figure 4).
9. Line up the screw holes in the top of the bracket with the pilot holes you drilled, and then screw in the screw sitting on the tip of the screwdriver bit (Figure 4). Tighten the screw enough to hold the bracket in place but leave it loose enough to move the bracket to align the other screw holes
10. Install the three remaining 3/4-inch wood screws, and then tighten all four screws so the bracket is held firmly; **do not overtighten the screws** (Figure 4).
11. Remove your Mac Studio computer from its packaging, and then carefully insert it into the bracket as shown. Push the computer in until it stops (Figure 5).

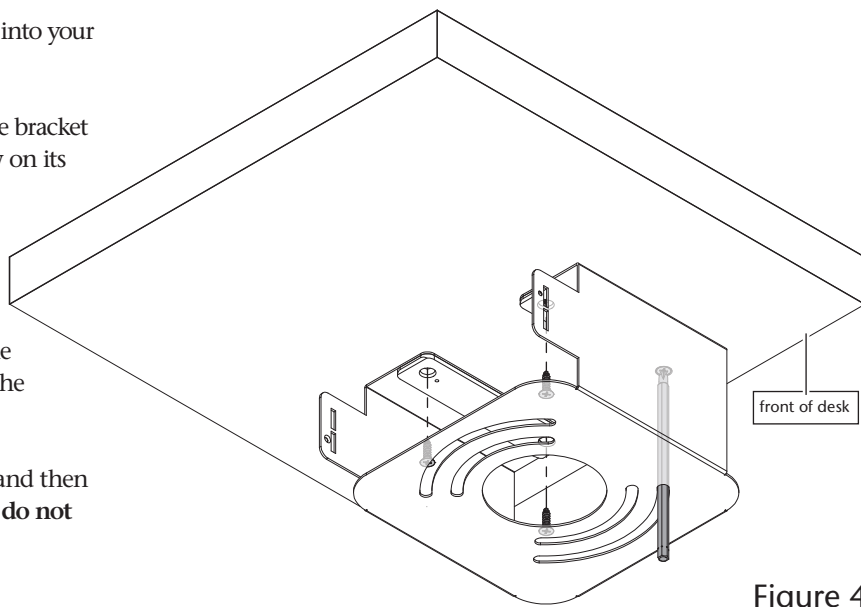


Figure 4

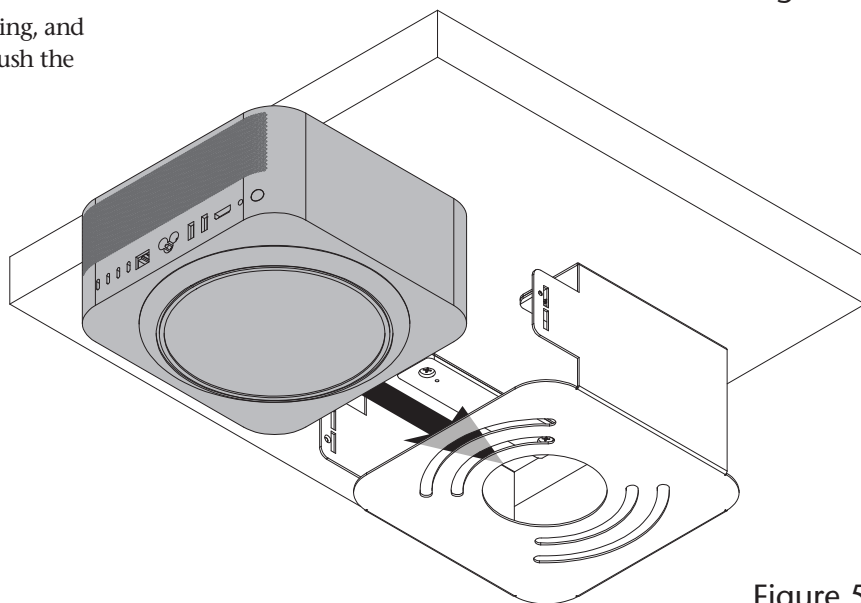


Figure 5

12. Insert the locking bar through the bottom slots in the bracket as shown (Figure 6).



Support Note: Installing the locking bar in the top slots blocks many ventilation holes in the Mac Studio and may impact your computer's performance.

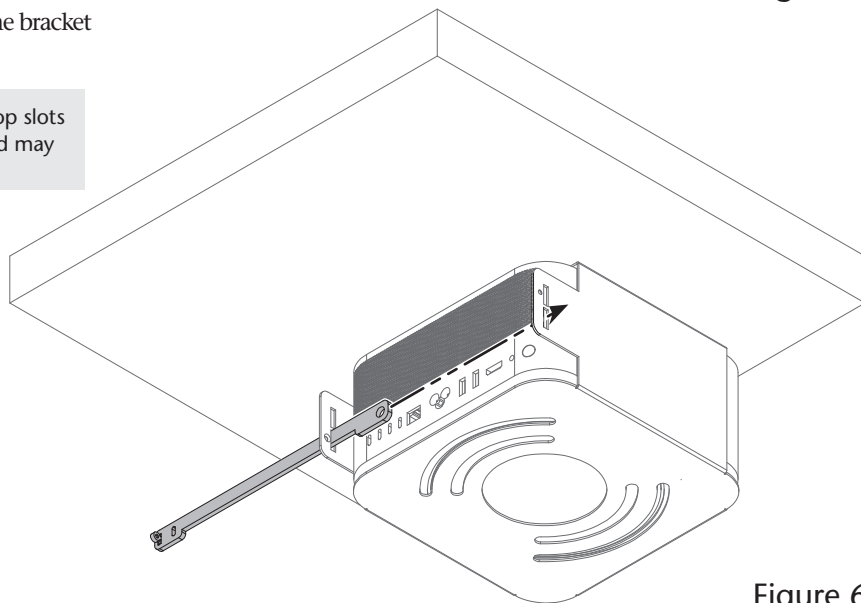


Figure 6

Under-Desk/Under-Shelf Installation Steps

13. Secure the bar to the bracket with the Phillips screw you removed previously, or, for better security, secure the bar using the included T8 Torx screw using the included Torx screwdriver bit (**Figure 7**). Do not overtighten the screw.

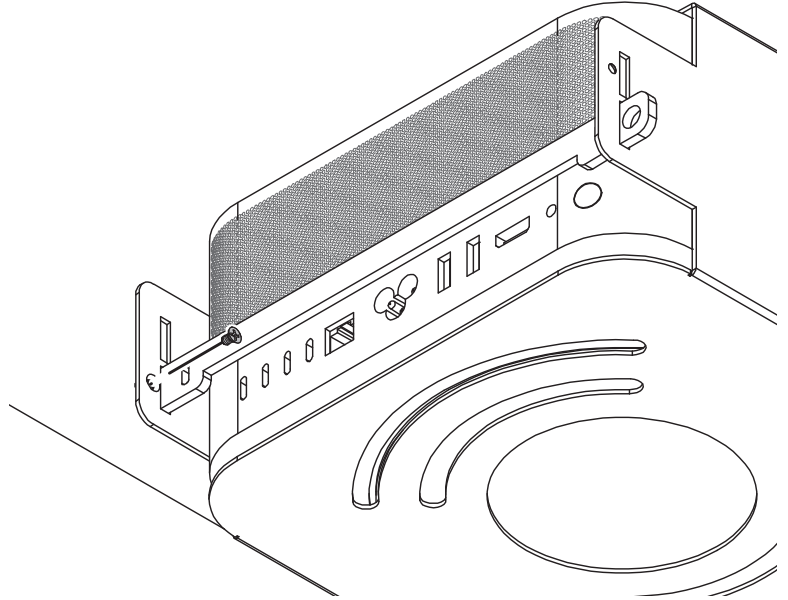


Figure 7

14. For additional security, install a padlock through the round hole on locking bar (**Figure 8**). Alternately, you may secure the locking bar with a Kensington lock installed in the Kensington slot on the front of the bar, or with both a padlock and Kensington lock.

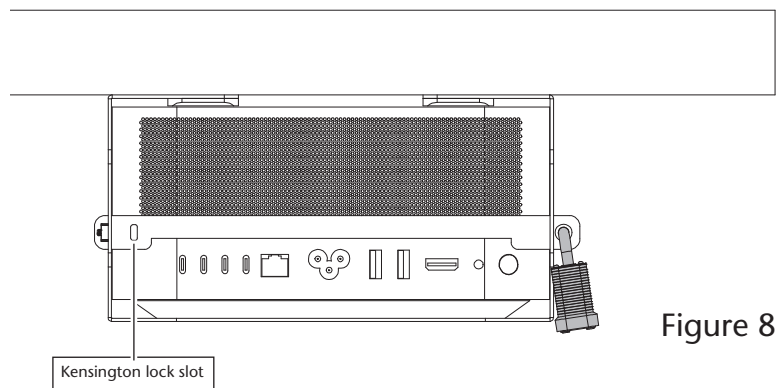


Figure 8

Wall Mounting Installation Steps



WARNING: Due to the Mac Studio computer's weight, plus the weight of connected cables, it is critical you attach the MacCuff Studio bracket securely. **When possible, use a stud finder to locate a stud in the wall, and then secure the bracket to the stud with at least two of the four screws.** Always use the included wall anchors where securing screws to a stud is not possible.

1. Choose a mounting location for the MacCuff Studio bracket. Be sure to select a position with at least 8.6 inches of clearance on the side of the bracket where the locking bar is inserted (Figure 9).

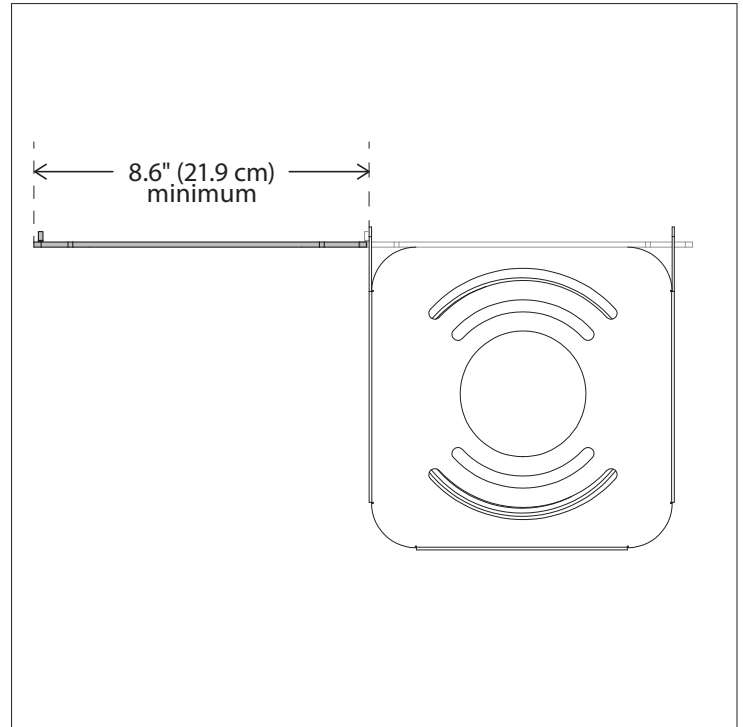


Figure 9



Support Note: Although the installation pictured here shows the bracket installed with the locking bar on top, you may also install the bracket so the locking bar will be positioned on the left or right.

2. Using a level to ensure it is placed correctly, position the drill template (last page of this document) on the wall, and then secure it with tape as shown (Figure 10).



Support Note: Instead of drilling through the drill template, you may instead use a center punch to punch holes through the template to create starter holes in the wall.

3. Holding the drill level, drill four holes through the drill template as shown (Figure 10):
 - Where drilling into studs, use a 3/32-inch (2.5 mm) drill bit
 - Where drilling into drywall to install drywall anchors, use a 5/16-inch (8 mm) drill bit.
4. Remove the drill template.

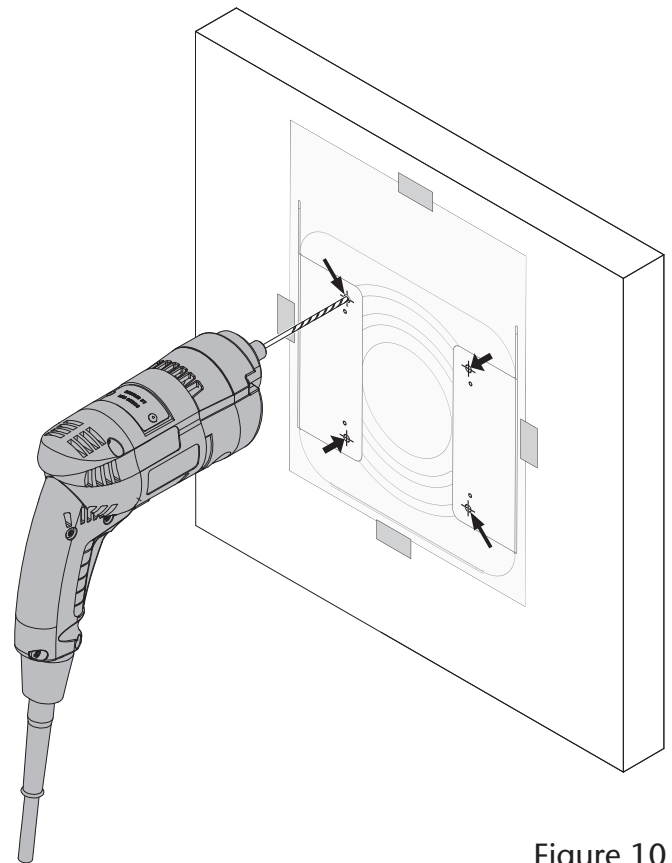


Figure 10

Wall Mounting Installation Steps

5. Insert the included drywall anchors into the holes you drilled into the wall as necessary (**Figure 11**).



Support Note: For the best holding capability, insert the drywall anchors into the wall so that their “teeth” are oriented vertically.

6. Using a hammer, tap the anchors into the wall until their heads are flush with the wall.

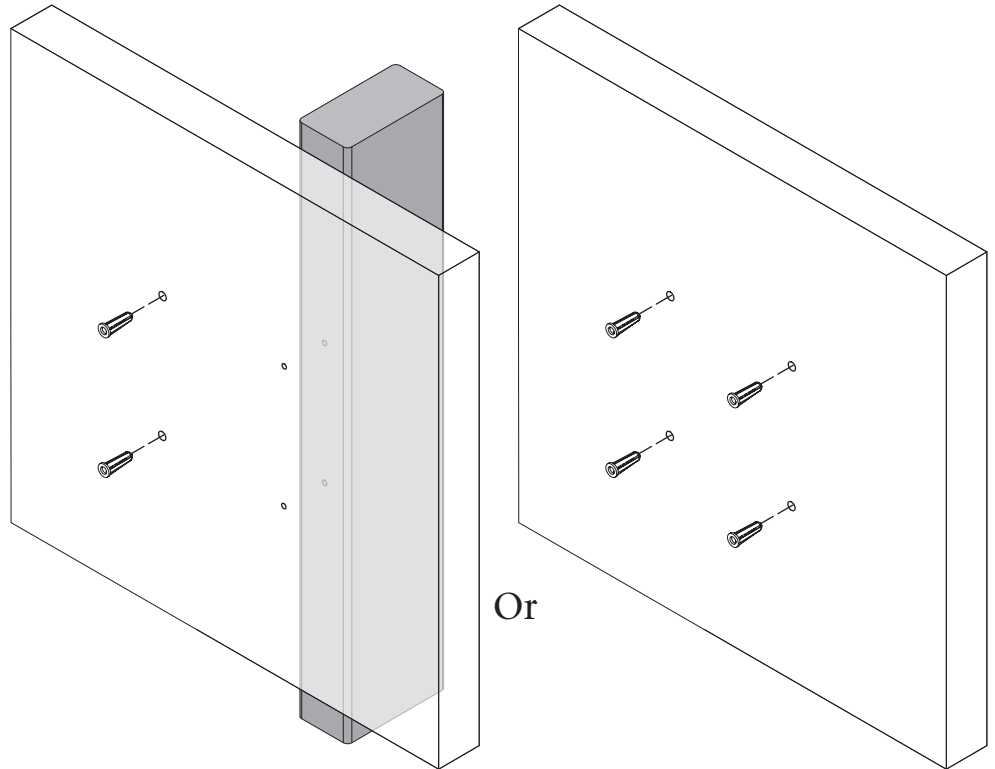


Figure 11

7. Remove the MacCuff Studio bracket from its packaging.
8. Using a #1 Phillips screwdriver, remove the screw securing the locking bar to the bracket, remove the bar, and then set aside the screw, bar, and screwdriver (**Figure 12**).

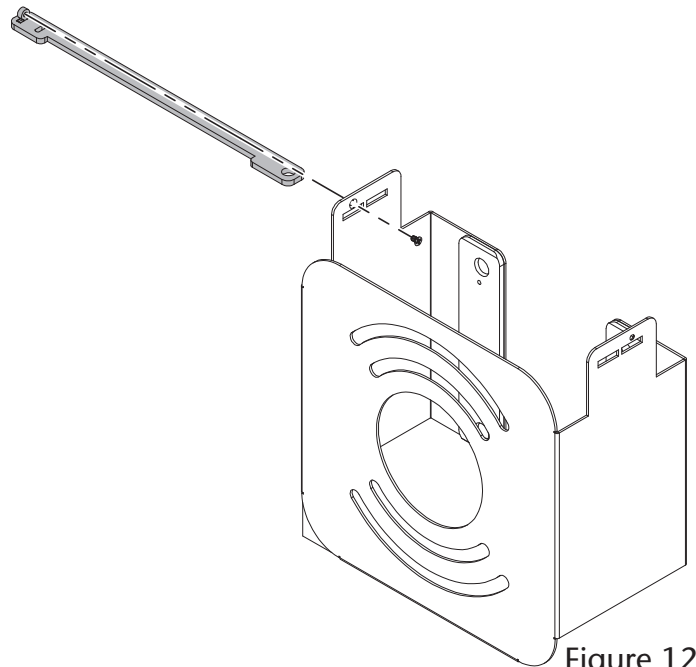


Figure 12

Wall Mounting Installation Steps

9. Insert the included magnetic Phillips screwdriver bit into your drill.
10. Insert the screwdriver bit through the bottom of the bracket and then balance an included 1-1/2 inch wood screw on its tip (Figure 13).
11. Line up the screw holes in the bracket with the pilot holes you drilled into the wall, and then screw in the screw sitting on the tip of the screwdriver bit (Figure 13). Tighten the screw enough to hold the bracket in place but leave it loose enough to move the bracket to align the other screw holes.
12. Install the three remaining 1-1/2 inch wood screws, and then tighten all four screws so the bracket is held firmly; **do not overtighten the screws** (Figure 13).

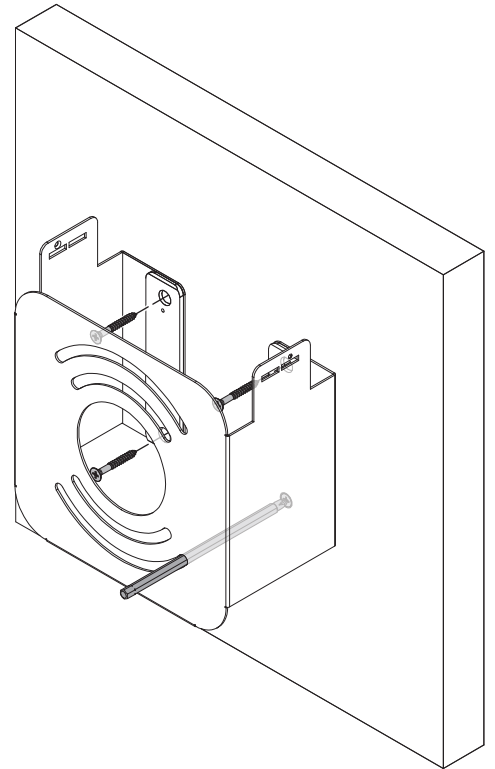


Figure 13

13. Remove your Mac Studio computer from its packaging. Being sure to support the computer, carefully insert it into the bracket with the top of the computer facing the wall; **do not drop the computer into the bracket** (Figure 14).

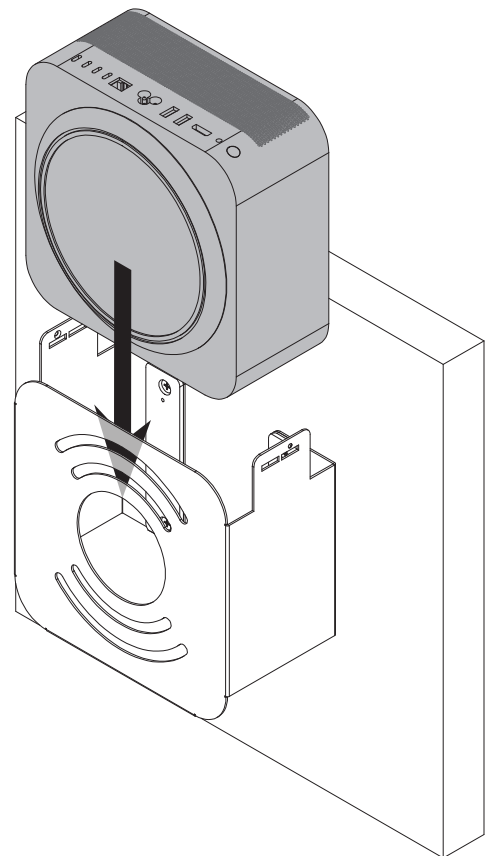


Figure 14

Wall Mounting Installation Steps

14. Insert the locking bar through the bracket slots furthest from the wall as shown (Figure 15).



Support Note: Installing the locking bar in the slots close to the wall blocks many ventilation holes in the Mac Studio and may impact your computer's performance.

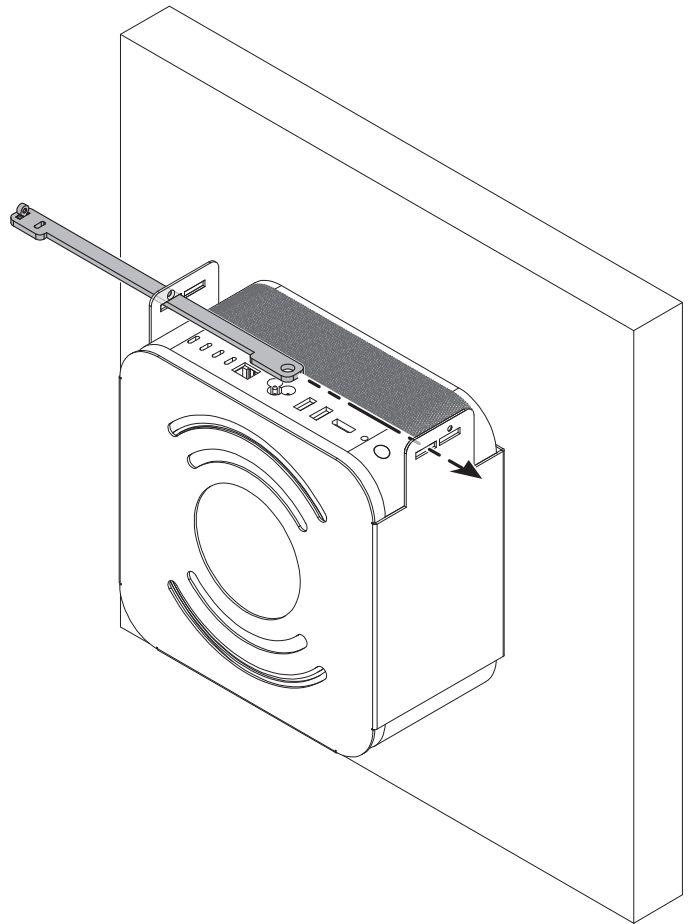


Figure 15

15. Secure the bar to the bracket with the Phillips screw you removed previously, or, for better security, secure the bar with the included T8 Torx screw using the included Torx screwdriver bit (Figure 16). Do not overtighten the screw.

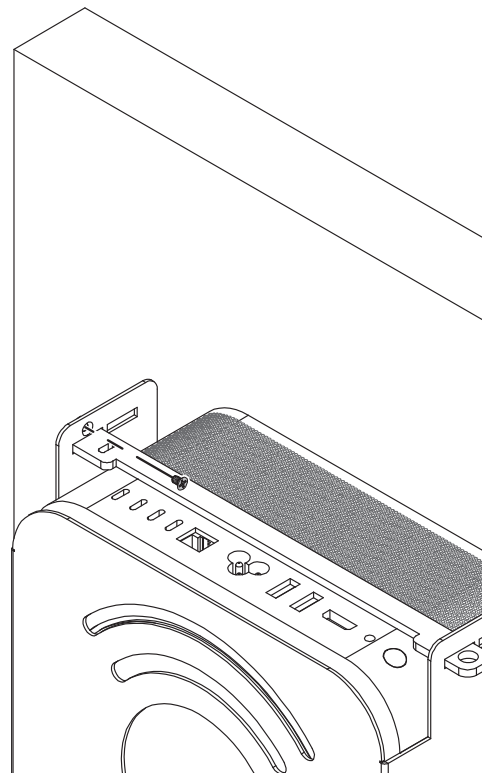


Figure 16

Wall Mounting Installation Steps

17. For additional security, install a padlock through the round hole on locking bar (Figure 17). Alternately, you may secure the locking bar with a Kensington lock installed in the Kensington slot on the front of the bar, or with both a padlock and Kensington lock.



Support Note: When you install your Mac Studio as shown (with its ports facing up), always support the computer by hand from the bottom when connecting cables, which may require extra force to fully seat them.

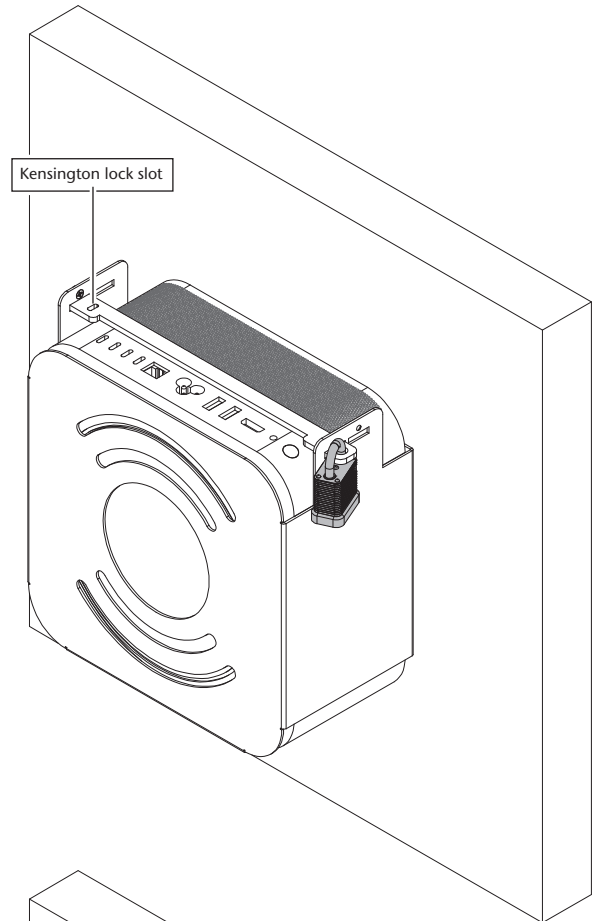


Figure 17

18. Should you want to affix the included cable management clips to the bracket, mount them away from the locking bar slots in the general areas indicated (Figure 18).

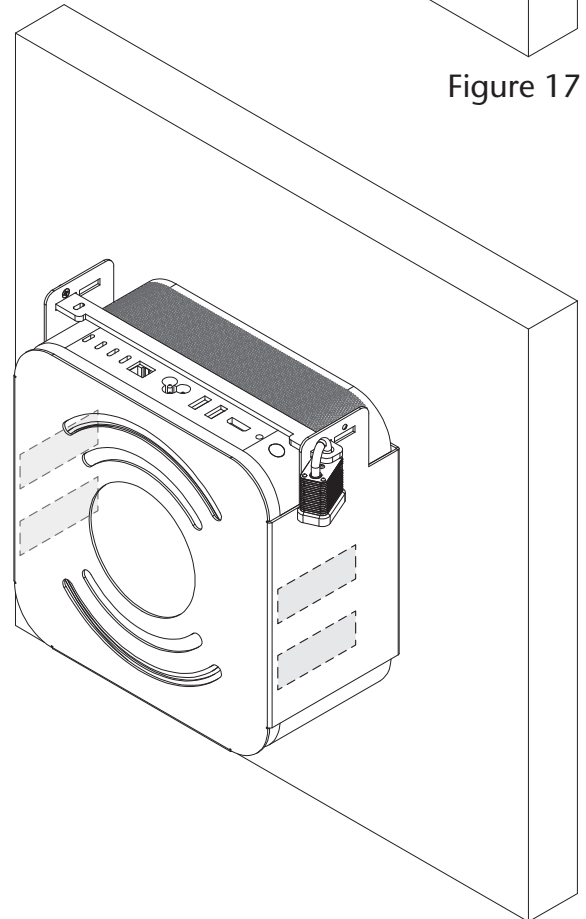
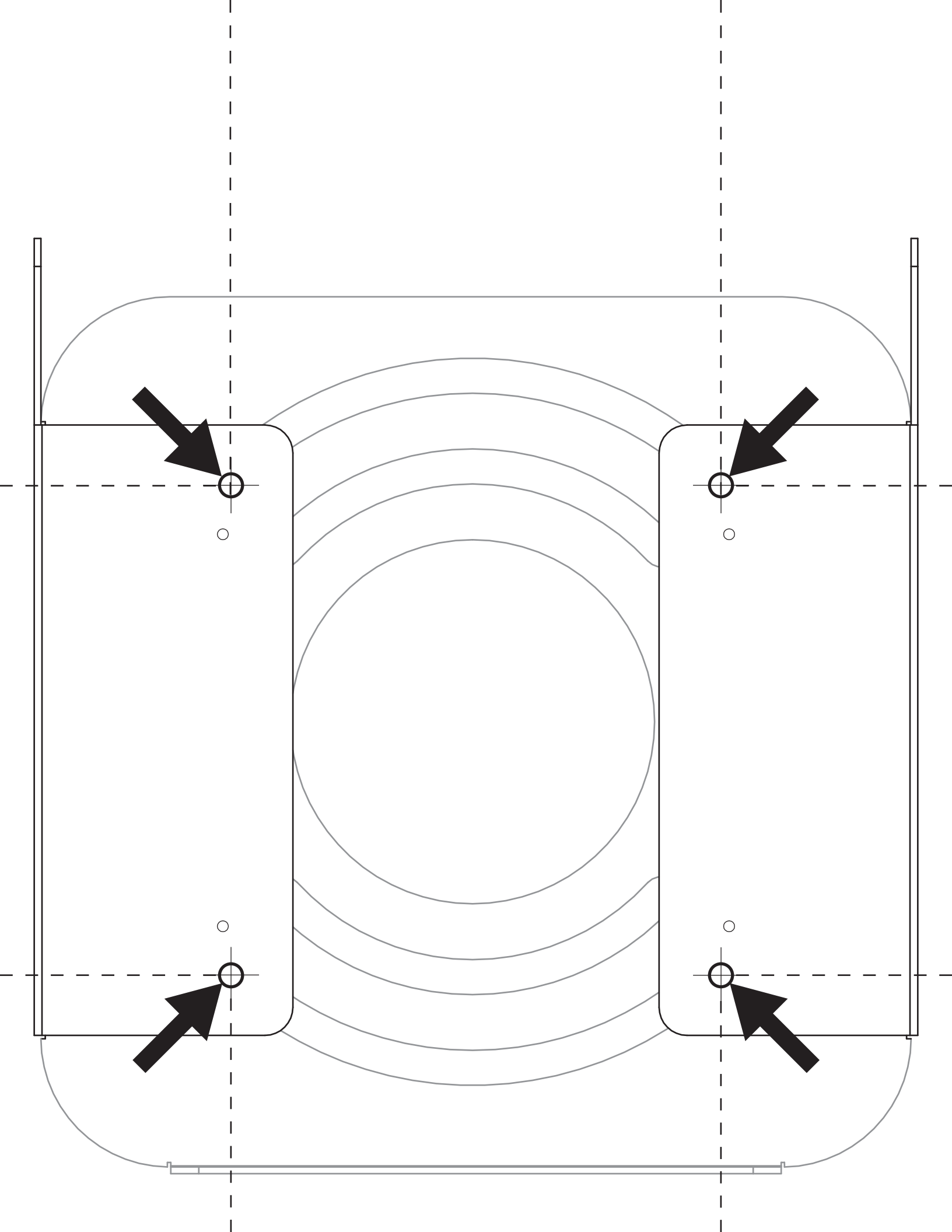


Figure 18



This Page Left Intentionally Blank