



## Description

The VMQ-4 audio monitor from Wohler Technologies offers voice quality confidence monitoring of up to 4 analog channels simultaneously. The VMQ-4 only requires a compact 1U of rackspace and is available at a very cost effective price.

Because each channel has its own dedicated power amplifier and speaker, the audio sources remain completely separate from input to output. When listening within ultra near field distances of 1 to 3 feet, these discrete speaker outputs provide enhanced source distinction when compared to designs with four inputs mixed into a single output. Each channel has an LED which illuminates when a signal is present at the input allowing the operator to easily

determine at a glance which channels are currently active, very helpful when quick volume adjustments are required. Separate mute buttons are provided for each channel; these together with an LED that indicates channel muting allow an operator to quickly mute one or more channels. A stereo headphone jack has Channels 1 and 2 summed on the left side, and Channels 3 and 4 on the right side.

The VMQ-4 is completely magnetically shielded to allow interference-free operation immediately adjacent to all CRT video monitors. The lighter weight and shallower-depth chassis compared to similar-type units, make it ideal for use in portable and mobile vehicle applications.

## Features

- Mute button and LED for each channel
- Space saving 1RU
- Dedicated Input for each output channel
- Powerful 94dB SPL at 2 feet (0.6m)

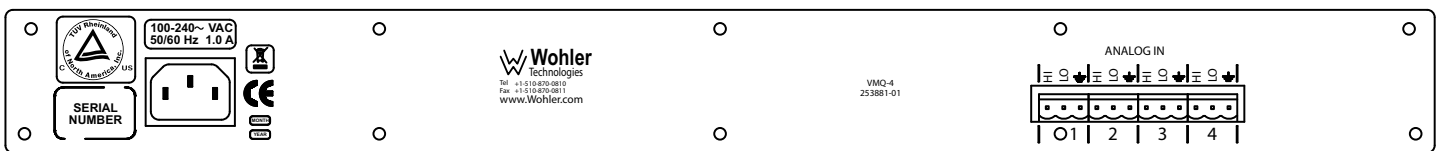
- 4 balanced analog inputs
- Signal present LED on each channel input
- Headphone jack mutes speakers
- Blowout-proof speakers

## Benefits

- Monitoring of 4 discrete audio channels in 1 unit
- Thorough magnetic shielding for placement next to video monitors

- Lightweight and shallow-depth chassis
- Quick and simple installation

## Rear Panel



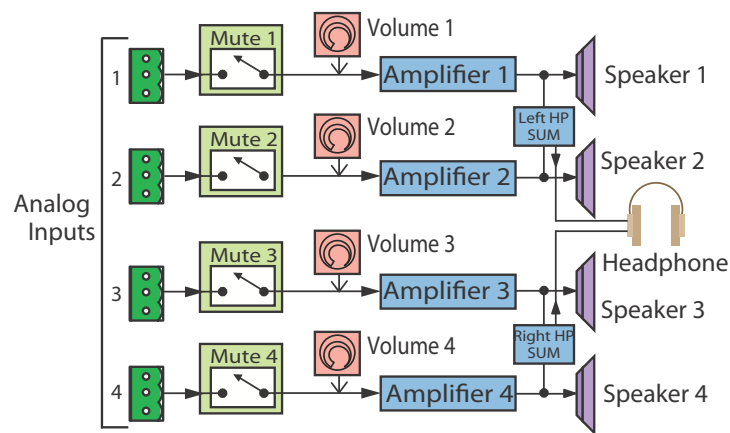
## Order Part Number

VMQ-4: 8110-0030

## Physical Specifications

<b>Dimensions (H x W x D)</b>	1.75" x 19" x 9.7" (44.5 mm x 483 mm x 246 mm)
<b>Shipping weight</b>	10 lbs (4.5 kg)
<b>Space requirements</b>	1RU in a standard 19" rack
<b>Supplied accessories</b>	AC external power cord
<b>Power connector</b>	plugs into standard U.S. outlet. Alternate power cables are available.
<b>Power requirements</b>	power to the unit is 100 to 240 VAC $\pm$ 10%, 50/60Hz.
<b>Power consumption</b>	20 W average; 30 W maximum
<b>Inputs</b>	4 mini Phoenix
<b>Outputs</b>	—
<b>Additional rear panel controls</b>	—
<b>Input impedance</b>	>100 k $\Omega$ balanced • >50 k $\Omega$ unbalanced
<b>full output (volume full on)</b>	0 dBv balanced • -12dBv unbalanced
<b>Hum and noise</b>	better than -70 dB below full output
<b>Frequency response</b>	300 Hz to 16 kHz ( $\pm$ 9dB)
<b>Maximum acoustic output</b>	94 dB SPL at 2 feet
<b>Electrical distortion</b>	< 0.2% at any level below limiting threshold

## Block Diagram



## Contact

Wohler Technologies, Inc.  
 31055 Huntwood Avenue  
 Hayward, CA 94544 USA  
 +1 888 5 WOHLER (Toll Free)  
 +1 510 870-0810  
 +1 510 870-0811 (fax)

Wohler Europe  
 +33 970 440 253  
 +33 1 77 72 59 99 (fax)  
 sales@wohler.com  
 www.wohler.com

Wohler Asia  
 1704 Lucky Commercial Center  
 103 Des Voeux Road West  
 Sheung Wan, Hong Kong  
 +852 2851 8325  
 +852 2850 8182 (fax)