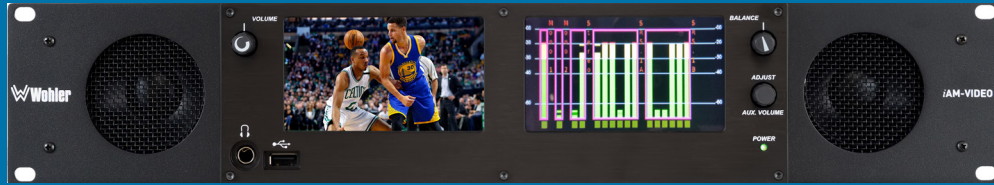
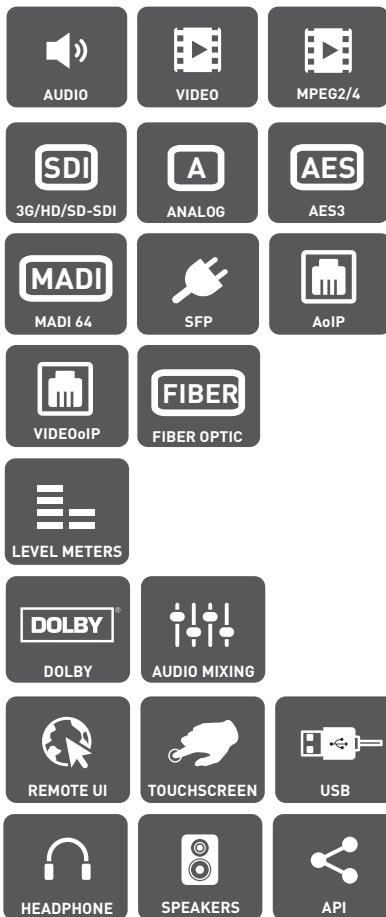


iAM-VIDEO-2

Multi-Channel Audio and Video Monitoring & Metering



Intuitive monitoring and metering of audio and video from multiple sources, with a browser-based user interface and touch screen controls.



Wohler Technologies has been in the business of in-rack monitoring for over 25 years. In fact we invented it! Now with the introduction of the iAM Series, Wohler has re-invented this critical piece of broadcast technology for the modern media enterprise.

Flexible. Adaptable. Future Proof.

iAM-VIDEO is designed to be easy to operate yet powerful enough to provide high quality, intuitive monitoring of multiple signal types within a compact form factor.

iAM-VIDEO is equipped with a variety of metering options and supports Analog, AES3 and MADI inputs, with options for VoIP formats including MPEG2/4 TS and SMPTE 2022, AoIP formats including Dante™, Ravenna™ and AES67, 3G/HD/SD-SDI and a growing range of additional I/O options via an SFP interface.

High quality touch screen panels allow for elegant and intuitive control, with simple to navigate menus and configuration. Physical front panel controls provide access to main and auxiliary volume controls, balance control and a front mounting USB port for simple software updates.

All iAM Series monitors are built with an on-board web server. Multiple units on the same network can be updated, monitored and controlled via a browser-based user interface that supports fast configuration with role-based authentication that protects critical configurations from unauthorized alteration.

With both front mounting speakers and sub-woofers, the iAM-VIDEO provides powerful sound output and audio reproduction that adheres to Wohler's own strict specifications.

iAM-VIDEO can be software upgraded to support new and emerging technologies and is the perfect solution for any application that requires a compact unit for monitoring an evolving range of professional signals.

Features/Benefits:

- Touch screen front panel for intuitive control.
- Built-in speakers, headphone jack, USB and Ethernet ports.
- A range of signal inputs, including AoIP, MPEG2/4 and SFP slots for future I/O.
- Store and retrieve presets via USB or remote software control.
- Software upgradeable, future-proof platform.
- API for remote control.

Part Numbers:

Base Unit:

iAM-VIDEO-2
iAM-VIDEO-2-MPEG

8114-0350 Audio/Video monitoring and metering. SFP-SDIB included. 2RU.
8114-0355 Audio/Video monitoring and metering. OPT-MPEG included. 2RU.

Processing Options:

OPT-DOLBY
OPT-DANTE
OPT-RAVENNA
OPT-MPEG

829077 Allows decoding and monitoring of Dolby® D, DD+, & E streams.
829078 Enables decoding and monitoring of Dante™ Input streams.
829079 Enables decoding and monitoring of Ravenna™ Input streams.
829094 Enables decoding and monitoring of MPEG2 TS o/ASI and o/IP.

I/O Options:

OPT-AES
OPT-MADI
SFP-2022
SFP-SDIB

829080 Enables decoding and monitoring of 4 x AES inputs. 1 AES output.
829092 Enables decoding and monitoring of 1 x MADI64 input via BNC.
829088 SMTPE 2022 receiver, LC Connectors.
829089 3G/HD/SD-SDI Active Loopback Video transceiver, HD-BNC.

...and many others



The iAM Command & Control interface

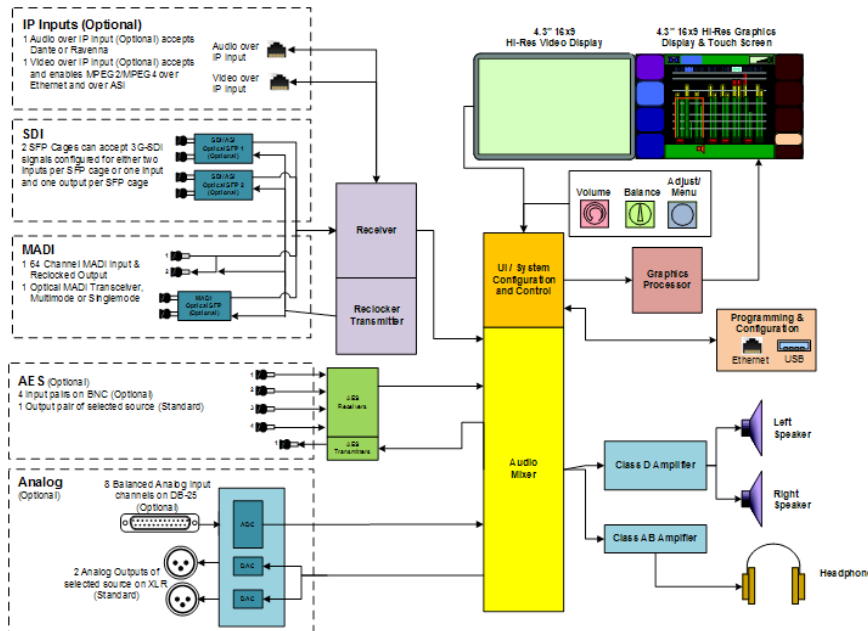
iAM-VIDEO-2

Multi-Channel Audio and Video Monitoring & Metering

Rear Panel



Block Diagram



Specifications

Dimensions (W x H x D)	1RU in standard 19" rack: 19" x 3.5" x 7.25" (482.6 mm x 89 mm x 184 mm)
Shipping Weight / Net Weight	6.5 lbs. (2.9 kg) / 4.5 lbs. (2.0 kg)
Power Consumption/Requirements	40 W typical, 100 to 240 VAC ± 10%, 50/60 Hz
Inputs/Outputs	<ul style="list-style-type: none"> • 3 SFP slots • 1 reclocked or regenerated MADI BNC with switched loop through (option) • 4 AES input (option) • 4 AES output • 8 Balanced analog inputs (option) • 1 headphone (1/4" jack) • 3 x Ethernet (1 x Management; 1 x AoIP; 1 x Video oIP)
Display Type	4.3" LCD Capacitive Touchscreen x 2
Sample Rate	48 kHz
Frequency Response	120 Hz to 18 kHz (± 5 dB) acoustic, 40 Hz to 20 kHz (± 1dB) electrical
Distortion	< 2% 300 Hz to 10 kHz acoustic, <0.01% THD+N electrical
Acoustic Output	96 dB SPL @ 2 feet
Presets	8 programmable/nameable. Can be copied from unit to unit via USB or GUI software and Ethernet

Specifications subject to change, errors and omissions excepted. All trademarks, product names and logos are the property of their respective owners. Any rights not expressly granted herein are reserved. ©2016, Wohler Technologies Inc. version:SEP16v2