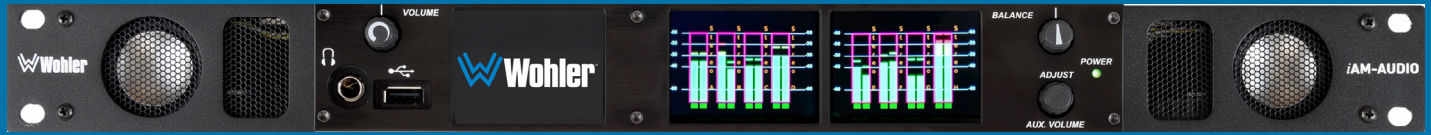
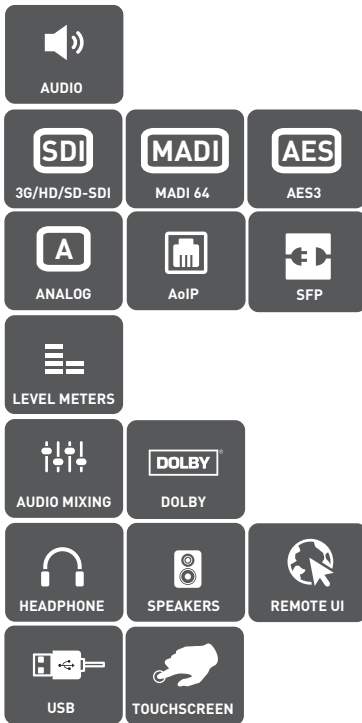


iAM-AUDIO-1

Multi-Channel Audio Monitoring & Metering



Intuitive monitoring and metering of audio from multiple sources, with browser-based user interface and touch screen controls.



The iAM Command & Control interface

Wohler Technologies has been in the business of in-rack monitoring for over 25 years. In fact we invented it! Now with the introduction of the iAM Series, Wohler has re-invented this critical piece of broadcast technology for the modern media enterprise.

Flexible. Adaptable. Future Proof.

iAM-AUDIO is designed to be easy to operate yet powerful enough to provide high quality, intuitive monitoring of multiple signal types within a compact form factor.

iAM-AUDIO is equipped with a variety of metering options and can support Analog, AES3 and MADI inputs with additional options for AoIP formats, including Dante™, Ravenna™ and AES67, 3G/HD/SD-SDI and a growing range of I/O via an SFP interface.

High quality touch screen panels allow for elegant and intuitive control, with simple to navigate menus and configuration. Physical front panel controls provide access to main and auxiliary volume controls, balance control and a front mounting USB port for simple software updates.

All iAM Series monitors are built with an on-board web server. Multiple units on the same network can be updated, monitored and controlled via a browser-based user interface that supports fast configuration with role-based authentication that protects critical configurations from unauthorized alteration.

With both front mounting speakers and subwoofers, the iAM-AUDIO provides powerful sound output and audio reproduction that adheres to Wohler's own strict specifications.

iAM-AUDIO can be software upgraded to support new and emerging technologies and is the perfect solution for any application that requires a compact unit for monitoring an evolving range of professional signals.

Features/Benefits:

- Wohler's renowned sound quality in 1RU form factor.
- Touch screen front panel for intuitive control.
- Built-in speakers, headphone jack, USB and Ethernet ports.
- A range of connectors, including SFP slots for future I/O.
- Store and retrieve presets via USB or remote software control.
- Software upgradeable, future-proof platform.
- API for remote control.
- Compact, space-saving unit.

Part Numbers:

Base Units:	
iAM-AUDIO-1	8114-0200 Audio monitoring and metering with touch screen control. 1RU. Supplied with 1 x SFP-SDIB
iAM-AUDIO-1-DANTE	8114-0205 Audio monitoring and metering with touch screen control. 1RU. Supplied with 1 x OPT-DANTE
Processing Options:	
OPT-DOLBY	829077 Allows decoding and monitoring of Dolby® D, DD+, & E streams.
OPT-DANTE	829078 Enables decoding and monitoring of Dante™ Input streams.
OPT-RAVENNA	829079 Enables decoding and monitoring of Ravenna™ Input streams.

I/O Options:	
OPT-AES	829080 Enables decoding and monitoring of 4 x AES inputs. 1 AES output.
OPT-MADI	829092 Enables decoding and monitoring of 1 x MADI64 input via BNC.
SFP-MMMF	829081 MADI fiber transceiver; Multimode, LC Connectors.
SFP-MSMF	829082 MADI fiber transceiver; Singlemode, LC Connectors.
SFP-2022	829088 SMTPE 2022 receiver, LC Connectors.
SFP-SDIB	829089 3G/HD/SD-SDI Active Loopback Video transceiver, HD-BNC.

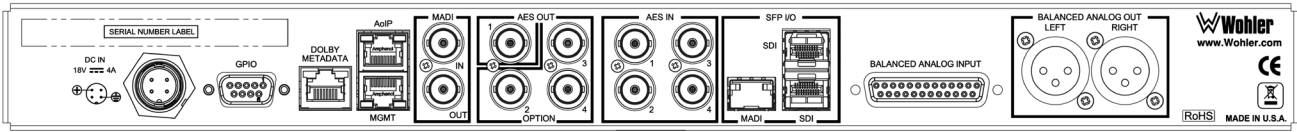


iAM-AUDIO

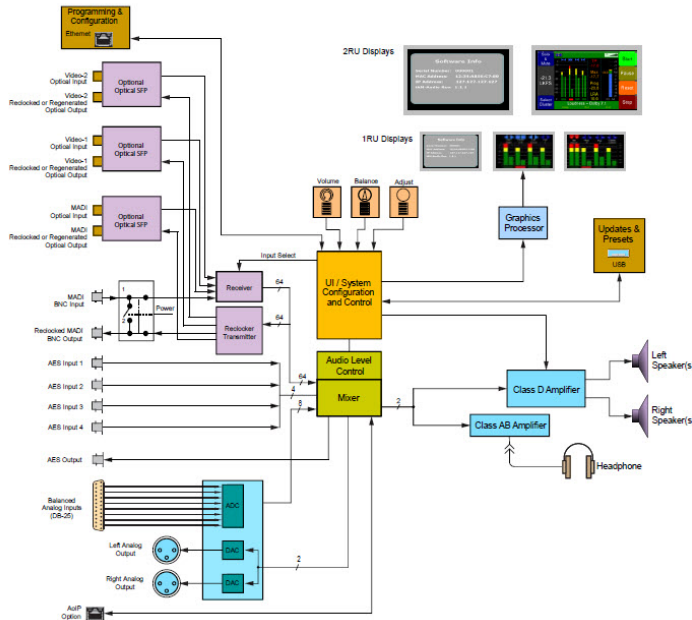
Multi-Channel Audio Monitoring & Metering



Rear Panel



Block Diagram



Specifications

Dimensions (W x H x D)	1RU in standard 19" rack: 19" x 1.75" x 7.25" (482.6 mm x 44.5 mm x 184 mm)
Shipping Weight / Net Weight	6.5 lbs. (2.9 kg) / 4.5 lbs. (2.0 kg)
Power Consumption/Requirements	40 W typical, 100 to 240 VAC ± 10%, 50/60 Hz
Physical Inputs/Outputs* *some I/O requires additional software key	<ul style="list-style-type: none"> • 3 SFP slots • 1 relocked or regenerated MADI BNC with switched loop through • 4 AES input • 1 AES output • 8 Balanced analog inputs • 1 headphone (1/4" jack) • Ethernet
Display Type	2.4" LCD Capacitive Touchscreen x 3
Sample Rate	48 kHz
Frequency Response	120 Hz to 18 kHz (± 5 dB) acoustic, 40 Hz to 20 kHz (± 1dB) electrical
Distortion	< 2% 300 Hz to 10 kHz acoustic, <0.01% THD+N electrical
Acoustic Output	96 dB SPL @ 2 feet
Presets	8 programmable/nameable. Can be copied from unit to unit via USB or GUI software and Ethernet

Specifications subject to change, errors and omissions excepted.
All trademarks, product names and logos are the property of their respective owners.
Any rights not expressly granted herein are reserved. ©2016, Wohler Technologies Inc.
version_JUN16