

iAM-MIX8/16

Multi-Channel Audio Monitoring & Mixing



Intuitive monitoring and mixing of audio from multiple sources, with browser-based user interface.



Wohler Technologies has been in the business of in-rack monitoring for over 25 years. In fact we invented it! Now with the introduction of the iAM Series, Wohler has re-invented this critical piece of broadcast technology for the modern media enterprise.

Flexible. Adaptable. Future Proof.

Specifically designed for fast-paced OB, studio and live-to-air production environments, iAM-MIX provides intuitive audio signal monitoring with instant access to 8 stored configurations of any user-defined channel groups for easy navigation between up to 64 channels.

iAM-MIX comes equipped with input options for Analog, AES3, 3G/HD/SD-SDI and multi/singlemode fiber and coax MADI audio, alongside either Dante™ or Ravenna / AES67 and allows any source format to be routed to the front panel controls for monitoring and mixing. Choose from either 8 or 16 level controls both with an independent master level control and instant mute capability. Individual OLED display indicators show status, presence metering and channel name – which can be manually edited or automatically read from a network connected router.

Multiple units on the same network can be controlled via a browser-based user interface that supports fast configuration with role-based authentication to protect critical setups.

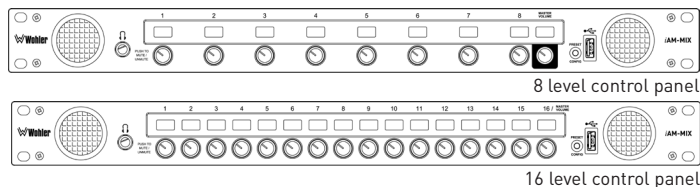
iAM-MIX is the perfect solution for any application that requires a simple, compact solution for monitoring a range of audio signals. Units are available with either 8 or 16 controls.

Features/Benefits:

- Fast selection and summing of up to 16 audio channels.
- Intuitive front panel with 8 or 16 individual level controls and quick muting.
- Channel names can be displayed for each input.
- Store and retrieve presets via USB or remote software control.
- Built-in speakers, headphone jack, USB and Ethernet ports.
- A range of useful connectors, including SFP slots for future I/O support.
- API for remote control.
- Apply software feature upgrades with zero downtime.
- Compact, space-saving units.



The iAM Command & Control interface



Part Numbers:

Base Units:

- iAM-MIX8 8114-0090 Monitoring from multiple sources incl. AoIP. 8 controls. Includes OPT-ANLG. 1RU.
iAM-MIX16 8114-0140 Monitoring from multiple sources incl. AoIP. 16 controls. Includes OPT-ANLG. 1RU.

Processing Options:

- OPT-DOLBY 829077 Allows decoding and monitoring of Dolby® D, DD+, & E streams.

I/O Options:

- SFP-MMMF 829081 MADI fiber transceiver; Multimode, LC Connectors.
SFP-MSMF 829082 MADI fiber transceiver; Singlemode, LC Connectors.
SFP-SDIB 829089 3G/HD/SD-SDI Active Loopback Video transceiver, HD-BNC.
OPT-DANTE 829078 Enables decoding and monitoring of Dante™ Input streams.
OPT-RAVENNA 829079 Enables decoding and monitoring of Ravenna™ or AES67 Input streams.



iAM-MIX-8/16

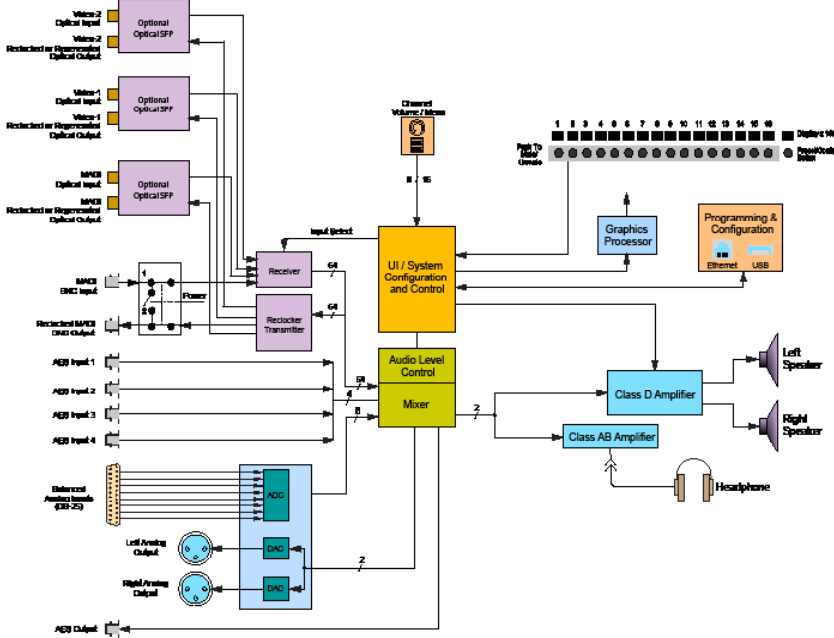
Multi-Channel Audio Monitoring & Mixing



Rear Panel



Block Diagram



Specifications

Dimensions (W x H x D)	1RU in standard 19" rack: 19" x 1.75" x 6" (482.6 mm x 44.5 mm x 152.4 mm)
Shipping Weight / Net Weight	6.5 lbs. (2.9 kg) / 4.5 lbs. (2.0 kg)
Power Consumption/Requirements	30 W typical, 100 to 240 VAC ± 10%, 50/60 Hz
Inputs/Outputs	<ul style="list-style-type: none"> • 3 SFP slots • 1 reclocked or regenerated MADI BNC with switched loop through • 4 AES input • 4 AES output • 8 Balanced analog inputs • 1 headphone (1/4" jack) • 1 AoIP input (RJ45) • 1 Ethernet (RJ45) for management
Display Type	OLED x 8 / 16
Sample Rate	48 kHz
Frequency Response	150 Hz to 16 kHz (± 5 dB) acoustic, 40 Hz to 20 kHz (± 1dB) electrical
Distortion	< 2% 300 Hz to 10 kHz acoustic, <0.01% THD+N electrical
Acoustic Output	90 dB SPL @ 2 feet
Presets	8 programmable/nameable. Can be copied from unit to unit via USB or GUI software and Ethernet

Specifications subject to change, errors and omissions excepted.
 All trademarks, product names and logos are the property of their respective owners.
 Any rights not expressly granted herein are reserved. ©2016, Wohler Technologies Inc.
 version: APR17