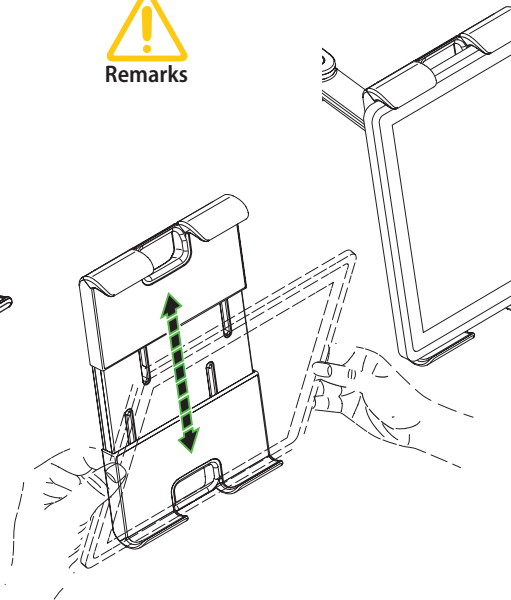
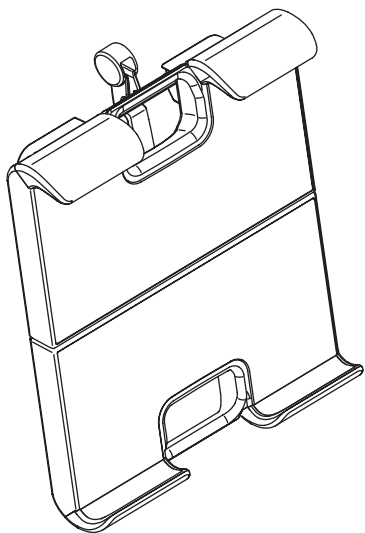
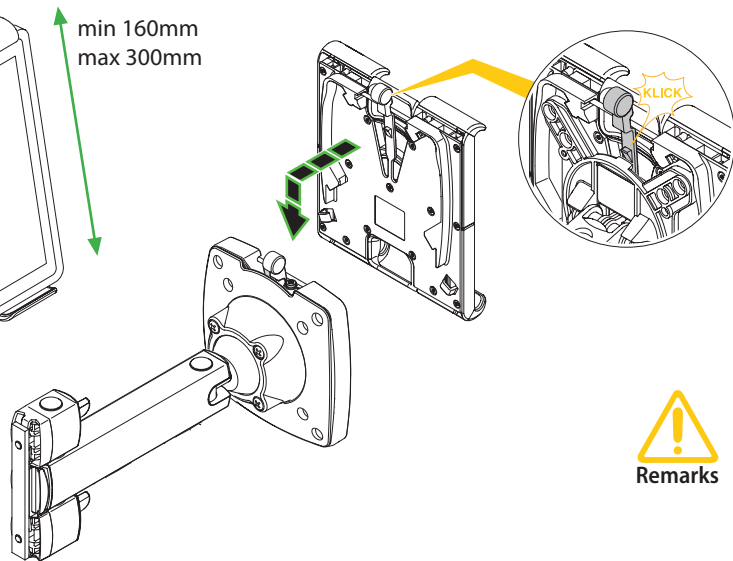




Remarks





- Never use the m!ka Table Clamp on curved surfaces - it may slip off!

- You do not need to drill a central hole when you use a m!ka Table Top Mount.
- Make sure you have suitable screws for the type of panel you install the base ring to.

- When installing the m!ka Wall Bracket it is your obligation to verify that your wall and your fasteners are suitable to hold the load.
- Use a Yellow Spacer.

- Make sure the m!ka Pad Dock is properly oriented to support the tablet.
- In order to hold the tablet properly its size needs to be min 160mm and max 300mm.
- Tablets will fit at both landscape and upright orientation.

- The cover pane for your m!ka Copy Stand holds and aligns by the integrated magnets.
- Make sure the magnets face each other.

- Your m!ka Copy Stand adapts to the MMS QuickFix system. Slide it in until it locks with a click.
- You can deactivate the QuickFix function for security reasons. Turn in the screw next to the release lever in order to disengage its function.