



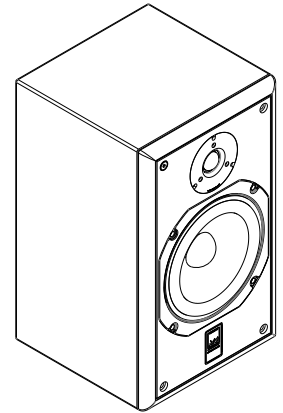
Loudspeaker Technology Ltd
Gypsy Lane
Aston Down
Stroud
Glos
GL6 8HR
England
Tel: +44 (0)1285 760561
Fax: +44 (0)1285 760683
email: info@atc.gb.net
web: www.atcloudspeakers.co.uk

Technical Data Sheet

SCM12 Pro: high performance 2-way compact passive loudspeaker

key features

- Compact very high performance 2-way studio monitor
- Ideally suited to:
 - critical near-field listening applications in all control rooms
 - LCR and surround monitoring in small-to-medium control rooms
- Proprietary ATC 150mm/6" CLD Mid/Bass Driver
- Proprietary ATC 25mm/1" Dual Suspension Tweeter
- 6 year product warranty

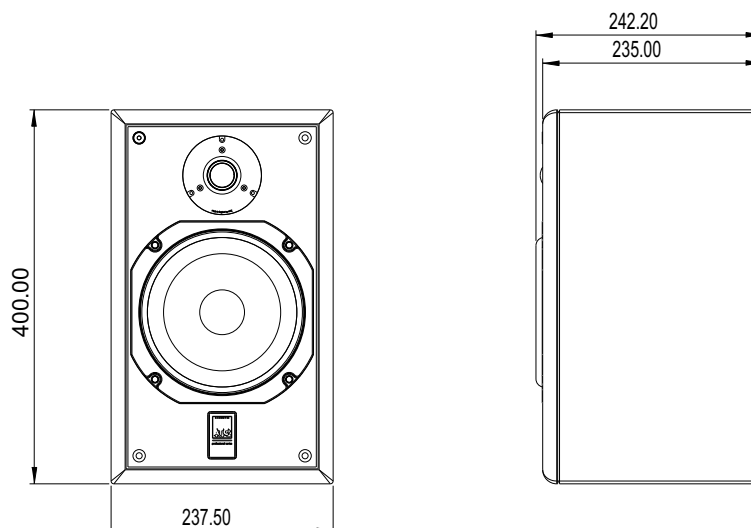


Specifications

- Drive unit - Low Frequency (LF) 6"/150mm Constrained Layer Damping (CLD) (SB45-150CLD 8 Ohm)
- Drive unit - High Frequency (HF) 1"/25mm dual suspension Soft Dome (SH25-76 6 Ohm)
- Amplitude linearity 80Hz - 16kHz (+/-2dB)
- Cut-off frequencies 56Hz - 22kHz (-6dB freestanding)
- Horizontal dispersion +/-80° coherent
- Vertical dispersion +/-10° coherent
- Maximum continuous SPL 108dB (per pair @ 1m)
- Crossover frequency 2.2kHz
- Recommended Power Amplifier 75 to 300 Watts
- Nominal Impedance 8 Ohm
- Connectors Binding Posts/4mm Plugs, bi-wire
- Cabinet Dimensions (HxWxD) 400x238x235mm
- Weight 11kg/24lbs (per cabinet)

physical dimensions

dimensions in mm



ATC reserve the right to change specifications without prior notice

Acoustic Transducer Co. is a trading name and **AJS** is the registered Trade Mark of Loudspeaker Technology Ltd.