

# DT 297

## Headset with Condenser Microphone

### FEATURES

- Closed headphone
- Good ambient noise attenuation
- Neodymium magnet system for very high reproduction precision
- Soft, circumaural ear pads
- Cardioid condenser microphone
- Single-sided connecting cable, plug-in type (delivery does not include the connecting cable)
- Flexible, pivotable gooseneck for optimal positioning with elasticated microphone suspension
- Improvement of immunity against RFI (Radio Frequency Interference) caused by GSM, DECT, UMTS, Tetra etc.



### APPLICATIONS

The lightweight, closed DT 297 headset has been developed for professional broadcasting use.

The headphone features an efficient neodymium magnet system, giving very precise reproduction and excellent intelligibility. Another special feature is the wide frequency response of 10 - 30,000 Hz. The headsets are available with 80  $\Omega$  or 250  $\Omega$  systems.

This headset is equipped with a condenser capsule with an extended bass response. The microphone can be optimally positioned with the flexible gooseneck. The optimum distance to the mouth is around 5 to 10 cm. The frequency response for this distance corresponds to recommendations of the IRT (Institute for Radio-technology in Munich). The microphone holder is rotatable so that the microphone can be worn on the left or right side. The soft circumaural ear pads and the fully adjustable padded headband offer an outstanding comfort.

The cardioid polar pattern ensures high-gain-before feedback and noise cancellation. The wide frequency response ensures clear and precise speech reproduction and intelligibility.

All parts such as earpads, headband and gooseneck microphone are easy to replace.

### SPARE PARTS

EDT 250 V	Ear pads, velours, circumaural	Order # 942.704
EDT 250 S	Ear pads, soft PVC, circumaural	Order # 943.549
WS 97 AZ	Wind / pop shield, charcoal-grey	Order # 465.313

### TECHNICAL SPECIFICATIONS

#### Headphone

Transducer principle	Dynamic
Operating principle	Closed
Transmission range	10 - 30,000 Hz
Nominal impedance	80 $\Omega$ or 250 $\Omega$
Nominal sound pressure level at 1 kHz	100 dB
T.H.D.	< 0.2%
Ambient noise insulation	approx. 16 dBA
Average pressure on ears	4.5 N
Weight without cable	240 g

#### Microphone

Transducer principle	Condenser (back electret)
Transmission range	40 - 20,000 Hz
Polar pattern	Cardioid
Output voltage at a distance of 5 cm	5.5 mV
Nominal impedance	approx. 300 $\Omega$
Nominal output impedance	> 1000 $\Omega$
Open circuit voltage	5 mV/Pa at f = 1 kHz
Max. SPL	132 dB
S/N ratio	62 dB
Current consumption	approx. 3.5 mA
Phantom supply	12 - 48 V

#### Dimensions

Gooseneck length	120 mm
Capsule diameter	19 mm
Weight	30 g

# DT 297

## VERSIONS

DT 297 PV MK II	Headset, 80 Ω, cardioid condenser microphone, with integrated power supply for phantom powering . . . . . Order # 701.467
DT 297 PV MK II	same as above, but 250 Ω . . . Order # 721.042

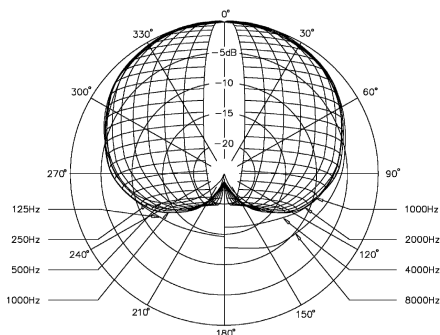
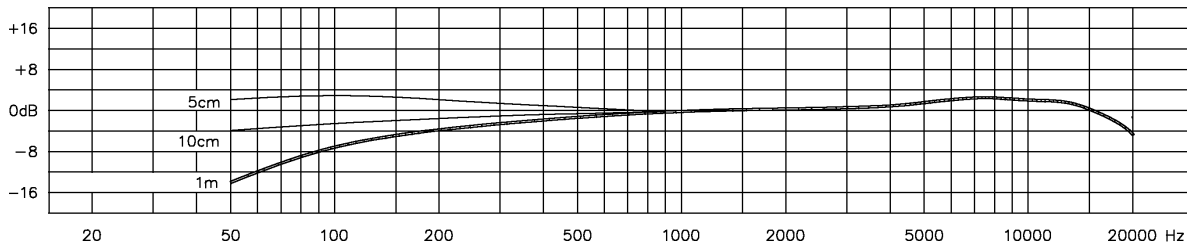
## OPTIONAL ACCESSORIES

K 190.00	Bare-ended straight cable, 1.5 m long . . . . . Order # 431.575
K 190.28	Straight cable with 4-pin XLR-socket, 1.5 m long . . . . . Order # 445.304
K 190.40	Straight cable with 3-pin XLR-plug and 1/4" jack (6.35 mm), 1.5 m long . . . . . Order # 445.894
K 190.41	Straight cable with 5-pin XLR-plug, 1.5 m long . . . . . Order # 445.312

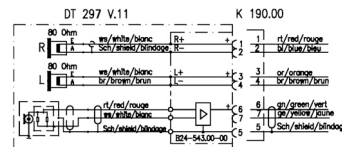
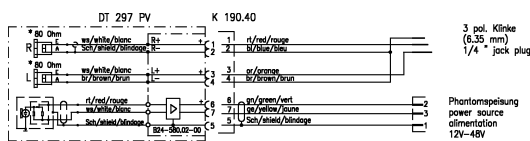
## FREQUENCY RESPONSE & POLAR PATTERN

This polar pattern and frequency response curve (measuring tolerance ± 2.5 dB) correspond to a typical production sample for this microphone.

Frequency response curve ±2.5 dB      0 dB = 5 mV/Pa      DT 297 PV



## WIRING DIAGRAMS



- Sonderausführung 250 Ohm System lieferbar
- Special model 250 ohm system available

