

# DT 108

Headset with dynamic Microphone

## FEATURES

- Highly sensitive headphone and microphone transducers
- Excellent ambient noise attenuation
- Capable of handling very high SPL
- Rugged construction
- Excellent comfort for long-term wearing
- Modular construction for easy servicing

## APPLICATIONS

The DT 108 single-muff headset is designed for live, remote broadcasting, for studio, film and TV-applications. One side is open to monitor ambient sound. The protective ear cup attenuates up to 20 dB of ambient noise. The headset features a noise cancelling microphone. Available in different impedances.

## VERSIONS

DT 108	Single-ear-headset, 200/50 $\Omega$ , black	Order # 402.958
DT 108	Single-ear-headset, 200/400 $\Omega$ , black	Order # 402.966

## OPTIONAL ACCESSORIES

K 109.00	Bare-ended straight cable, 1.5 m long	Order # 101.907
K 109.28	Straight cable with 4-pin XLR-socket, 3 m long	Order # 220.132
K 109.38	Straight cable with 5-pin XLR-plug, 1.5 m long	Order # 406.538
K 109.40	Straight cable with 3-pin XLR-plug and 1/4" jack (6.35 mm), 1.5 m long	Order # 449.121



## TECHNICAL SPECIFICATIONS

### Headphone

Transducer type	Dynamic
Operating principle	Closed
Frequency response	30 - 20,000 Hz
Nominal impedance	400 $\Omega$ $\pm$ 10% per cartridge*
Nominal SPL at 1 kHz	94 dB
T.H.D.	< 1%
Power handling capacity	1000 mW $\hat{=}$ 124 dB
Ambient noise attenuation	approx. 20 dBA
Sound coupling to the ear	Circumaural
Headband pressure	approx. 4.5 N
Weight (without cable)	283 g

### Microphone

Transducer type	Dynamic
Operating principle	Pressure gradient
Frequency response	40 - 12,000 Hz
Polar pattern	Hypercardioid
Output voltage	approx. 2.5 mV at a distance of 5 cm
Nominal impedance	200 $\Omega$
Load impedance	$\geq$ 1000 $\Omega$

\*more impedances available

## SPARE PARTS

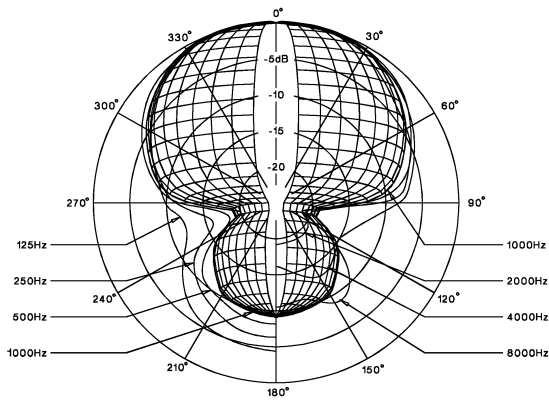
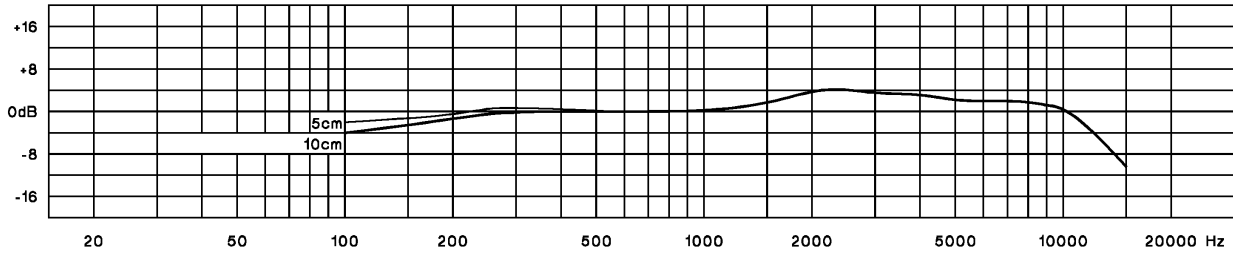
EDT 100 S	Ear pads, soft PVC, circumaural	Order # 907.003
EDT 100 P	Ear pads, plush, circumaural	Order # 945.576
EDT 100 T	Ear pads, cotton jersey, circumaural	Order # 945.584
BN 59-18/A	Headband pad	Order # 108.715
BN 56-79/A	Pop shield (5 pcs.)	Order # 108.677

# DT 108

## FREQUENCY RESPONSE & POLAR PATTERN

This frequency response curve (measuring tolerance  $\pm 2.5$  dB) and polar pattern correspond to a typical production sample for this microphone.

Frequency response curve  $\pm 2.5$  dB 0 dB = 2.5 mV at a distance of 5 cm



## WIRING DIAGRAM

