

GENELEC®

8351B
Smart Active Monitor

Operating Manual



Introduction

Thank you for choosing Genelec! Fulfilling dreams by offering people the most truthful sound reproduction possible has been the source of our enthusiasm since 1978. There's already over one million Genelec monitors around the world - welcome to our story!

All Genelec monitors are designed to last, hand built in Iisalmi, Finland using certified sustainable methods, individually tested and calibrated, and have long support for spare parts. They have also all been designed for low power consumption when in use and during automatic standby.

Please register your monitor at <http://www.community.genelec.com/>. You will receive an extended 5 year warranty for spare parts. For more information about our service and technical support, please visit

<http://www.genelec.com/customer-service>.

System Characteristics

Each 8351B is supplied with GLM User Kit, one mains power cable, one 5-meter GLM network cable and this operating manual.

The Genelec 8351B is suitable for professional monitoring applications calling for very high precision and reliability. It combines many remarkable Genelec technologies to provide point source benefits with directivity control over an extraordinarily wide audio bandwidth.

Genelec Loudspeaker Manager™ (GLM™) Software And GLM User Kit

The GLM software gets the most out of 8351B and tailor-fits it to your room. GLM is available for download free of charge at www.genelec.com/glm. Check in from time to time to take advantage of new features, or consider using the cloud-based version. A GLM User Kit comprising the necessary hardware, including the GLM Adapter and measuring microphone is needed for building and operating the GLM network. This kit is included with every 8351B.

Minimum Diffraction Coaxial (MDC™)

The minimum diffraction coaxial driver consists of a powerful midrange driver combined with a tweeter driver extending to ultrasonic frequencies and unparalleled directivity control. This unique design minimizes acoustic diffraction sources that typically exist in coaxial drivers and produces a flat frequency response both on the acoustical axis and at all off-axis directions.

The 8351B may be oriented either horizontally or vertically and is intended for near-field listening where the influences of the room can be mostly minimized. Typical distances can vary from 1 meter or less to 3 meters depending on room size and SPL requirements.

Directivity Control Waveguide (DCW™)

The 8351B has an exceptionally large directivity control waveguide extending over the whole front face of the enclosure. The midrange driver cone also forms a part of the directivity control waveguide for the tweeter. From behind the waveguide, two woofers radiate audio through two openings in the enclosure front. This unique design enables directivity control of all audio frequencies down to low bass.

Acoustically Concealed Woofers (ACW™)

A pair of nearly invisible woofers in the 8351B are placed acoustically coaxially with the midrange/tweeter drivers to create a three-way system with all drivers having their acoustical axes in the same position. This creates an ideally working point source radiator.

Smart Active Monitor (SAM™)

Genelec SAM technology can improve the reliability and accuracy of monitoring. Smart Active Monitors have several parametric notch and shelving filters that can be tuned automatically using the Genelec Loudspeaker Manager (GLM) software to exactly compensate for colorations generated by room acoustics. This enables SAM monitors to sound neutral and achieve accurate stereo imaging in all acoustical environments.

Audio Inputs

The 8351B's audio inputs are designed to integrate easily into all professional environments, supporting balanced line level analog and AES/EBU format digital signal. The maximum analog input level is +25 dBu (13.7 Vrms or 19.5 V peak). Set to the maximum sensitivity, an analog input signal of -6 dBu produces 100 dB SPL sound level at 1 meter in free space. A -30 dBFS digital audio input level produces 100 dB SPL level at 1 meter in free space. Note that 0 dBFS refers to the largest possible digital input value.

Analog input is selected when the AES/EBU signal input is not connected. The AES/EBU format digital audio input is selected automatically when a valid digital audio signal is present. Please note that this digital audio signal may be silence. This automatic input selection can be overridden when the 8351B is controlled with the GLM network, enabling flexible selection of either input.

When using a digital audio source with adjustable level, it may instead be advantageous to lower the output level of the 8351B using the monitors on-board rear panel controls. This enables the use of a higher source output level with more digital resolution, while taking full advantage of 8351B's impressively low self generated noise.

The AES/EBU input supports two channels of audio in a single cable. The DIGITAL OUT male XLR connector carries an unaltered copy of the digital input signal. This enables daisy-chaining of up to four monitors. The proper digital channel can be selected using DIP switches or GLM.

Power Management

The 8351B mains power input supports any mains voltage globally (100-240 VAC, 50-60 Hz). It can be plugged in anywhere in the world and will always deliver the maximum output power to the drivers even when the mains voltage fluctuates. If mains power is provided with a generator, inverter or lower-quality UPS device, we recommend filtering out harmonics from the mains power voltage.

The energy saving function Intelligent Signal Sensing (ISS™) puts the monitor automatically into a sleep state when no input signal is present. The device then consumes less than one watt of power. Upon sensing an input signal, the monitor automatically awakens. The standby time until entering the power saving state can be configured using the GLM software. When ISS is active, you can leave your monitors on at all times and have the monitoring system immediately ready for action.

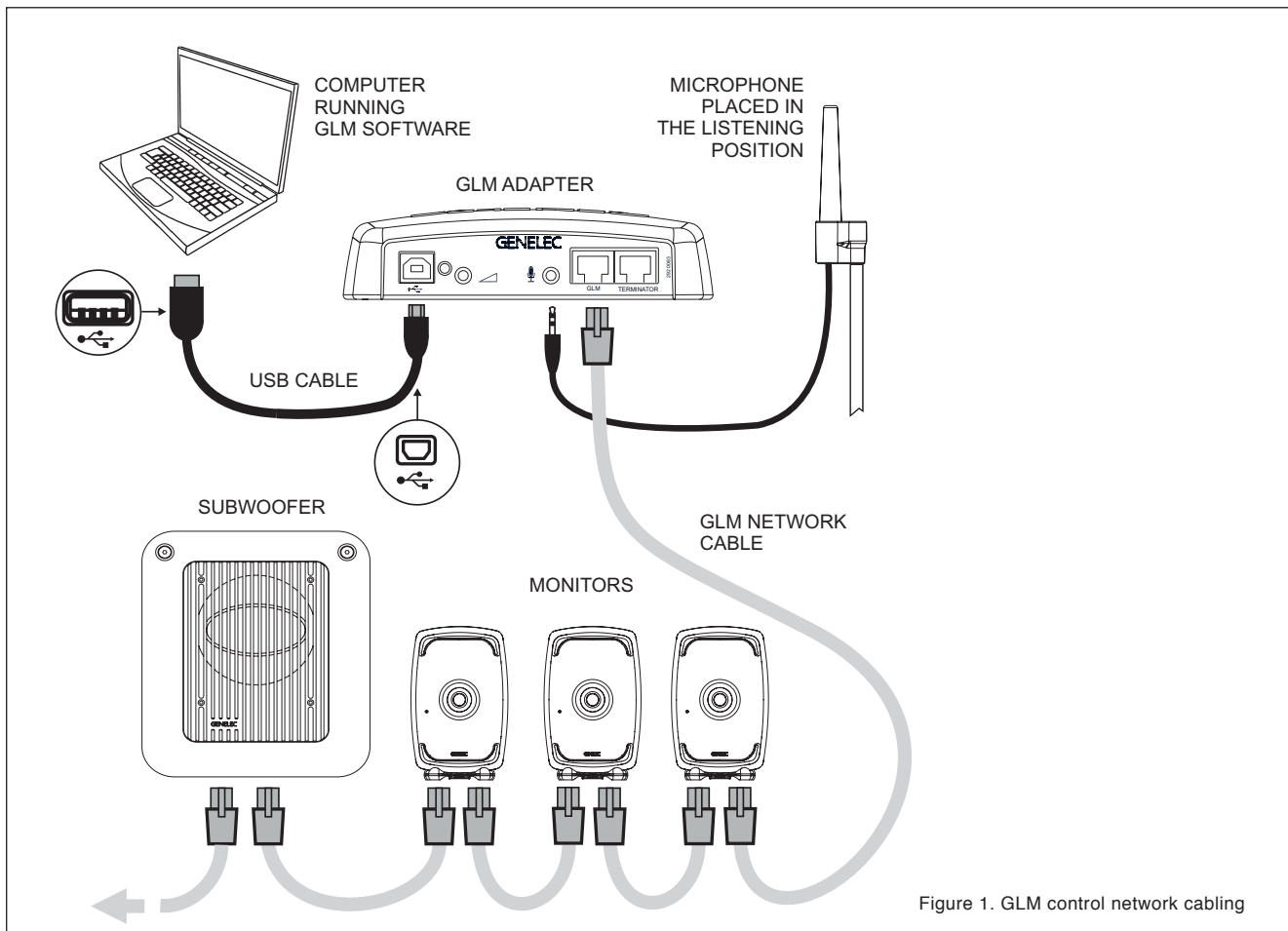


Figure 1. GLM control network cabling

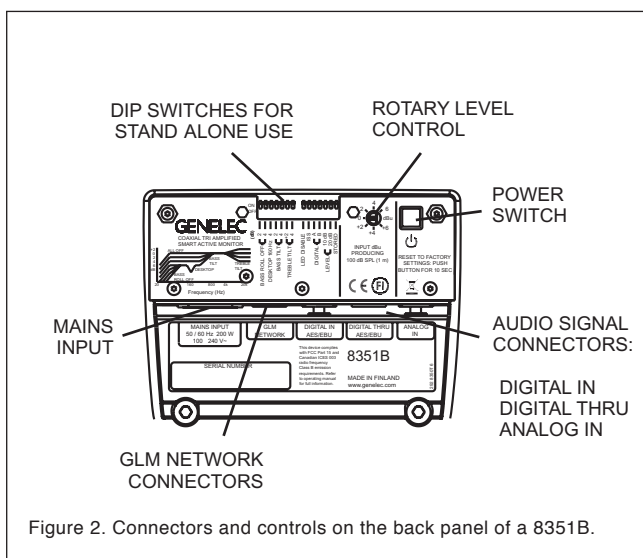


Figure 2. Connectors and controls on the back panel of a 8351B.



Figure 3. Connector panel detail.

The default standby time when ISS is enabled using the ISS DIP switch is 60 minutes.

Setup Using The GLM™ Control Network

Although the 8351B can be used without the GLM software and control network, it can only reach its full potential when set up and calibrated using GLM software, running on a Mac or PC.

Genelec therefore recommends setting up the 8351B and other SAM monitors using GLM. You can find a detailed

description of the setup and the use in the GLM System Operating Manual.

The GLM software and the proprietary Genelec monitor control network offer automated acoustic equalization and alignment for any reproduction system from mono over stereo to complex 3D immersive audio setups, including also one or more subwoofers. GLM includes AutoCal, an expert algorithm built on data from thousands of professional listening rooms.

Setup with the GLM User Kit consists of the following steps:

1. Connect a CAT5 (RJ45) cable between each monitor (and subwoofer) and finally to the control network input of the GLM Adapter device (see Figure 1).
2. Connect the GLM Adapter device to computer USB connector.
3. Using a microphone stand, place the Genelec measurement microphone at the listening location with the microphone pointing upwards and the microphone top at the height of the engineer's ear. The microphone is a part of the GLM User Kit.

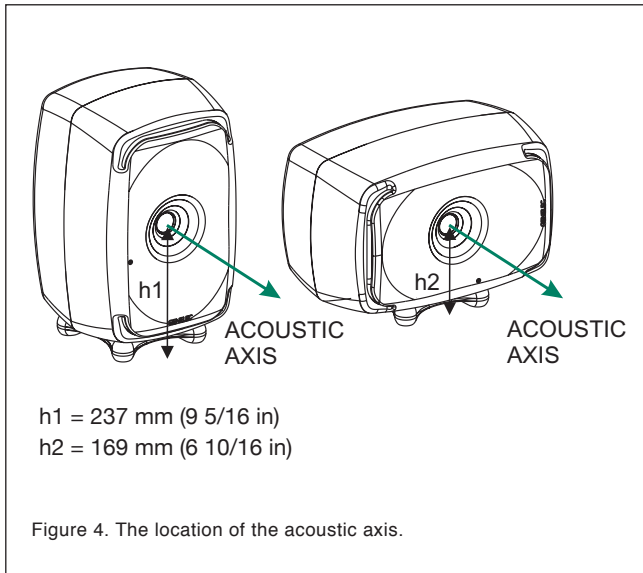


Figure 4. The location of the acoustic axis.

4. Connect the microphone cable to the microphone input in the GLM Adapter device.
5. Download the GLM software at the Genelec web site (www.genelec.com). Install the GLM software and follow the instructions in the software to measure and set up your monitors.
6. If you plan to not use a computer for controlling the monitors, use the GLM software to write the settings into the monitors (use menu item “Store | Store the Current Group Settings...”).

The GLM network may also be used for monitor control - switching between sets of loudspeakers, solo, mute, invoking calibrated levels etc. - or settings can be permanently stored in all monitors for a static and predictable setup. If so, a computer is only needed for the setup.

If the network is disconnected, settings stored using the GLM software can be enabled by setting the DIP switch “Stored” to ON.

The CONTROL NETWORK RJ-45 connectors are used for the GLM network. These connectors are not Ethernet LAN compatible. Do not connect to an Ethernet LAN.

Setup Without Using The GLM

When GLM is not available, you can still adjust the 8351B for placement in a room by using the DIP switches on the back of the monitor. Compared with GLM sophisticated features, these settings are more limited but nevertheless provide the fundamental equalizers to compensate for the acoustical effects of the listening room, input selections and input sensitivity. To use this method, ensure that the GLM management network is not connected and set the DIP switch “Stored” to its OFF position.

Stand-Alone Control Functions

Bass Roll-Off Control

The Bass Roll-Off control attenuates the monitor’s output near the cut-off frequency. Attenuation levels of -2 dB, -4 dB or -6 dB (both switches ON) can be selected by combining settings on one or more switches. This setting may be needed to control the bass level in spaces with strong low frequency reverberance.

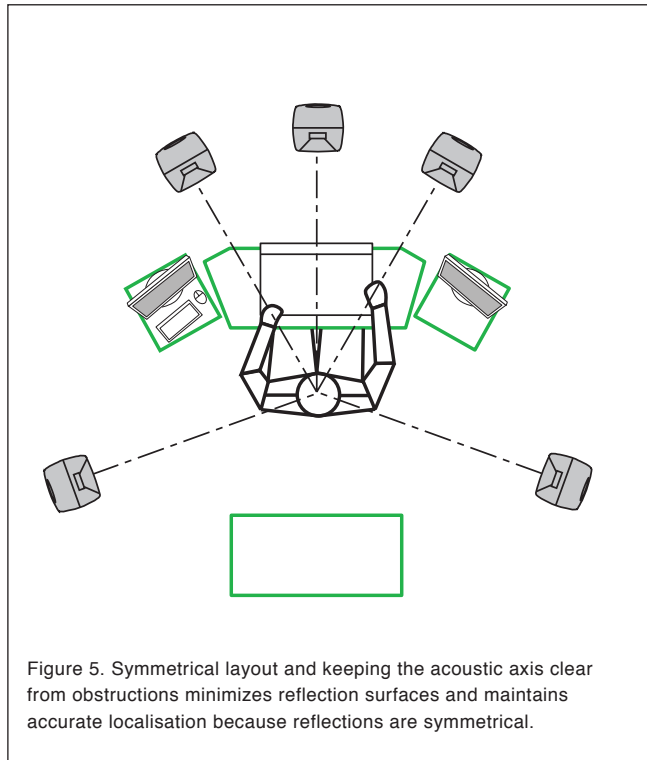


Figure 5. Symmetrical layout and keeping the acoustic axis clear from obstructions minimizes reflection surfaces and maintains accurate localisation because reflections are symmetrical.

Monitor Mounting Position	Treble Tilt	Bass Tilt	Bass Roll-Off	Desktop
Flat anechoic response	None	None	None	None
Free standing in a damped room	None	-2 dB	None	None
Free standing in a reverberant room	None	-4 dB	None	None
Near field on a reflective surface	None	-2 dB	None	-4 dB
In a corner	None	-4 dB	-4 dB	None

Table 1. Suggested Tone Control settings for some typical monitor placement positions.

Desktop reflection compensation

The desktop low frequency control attenuates the bass frequencies around 160 Hz by 4 dB. This feature is designed to compensate for the boost occurring often when the monitor is placed upon a meter bridge, table or similar reflective surface.

Bass Tilt Control

The Bass Tilt control switches offer three attenuation levels for the bass response below 800 Hz. The attenuation levels are -2 dB, -4 dB and -6 dB (both switches ON). This control is usually necessary when the monitors are placed near room boundaries such as at the wall or close to a room corner.

Treble Tilt Control

The Treble Tilt control allows adjusting the high frequency response above 5 kHz by +2 dB, -2 dB or -4 dB, which can be used for correcting an excessively bright or dull sounding system or to compensate for the high frequency level loss when the monitor is placed behind a screen.

LED Disable

This switch shuts off the front panel LED light.

Colour	Indication
Solid green	Normal state, normal operation
Blinking green	GLM is adjusting the monitor
Green blink every 10 sec.	Monitor is in an ISS power saving sleep state
Red blink	Power amplifier overload protection is active (audio is modified because of protection)
Solid red	Monitor is muted
Yellow	Monitor is not in the active (playing) group
Yellow blinking	Overheat protection is active (audio is modified because of protection)

Table 2. Monitor front panel light indications summary

ISS

This switch activates or deactivates the ISS automatic power saving function. The default time for ISS activation is 60 minutes, but the time can be adjusted in the GLM software.

Digital

The Digital switch selects the digital audio channels on the AES/EBU. Turning both switches on reproduces the sum of the A and B channels. When both channels are selected 6 dB of attenuation is applied to avoid overloading the monitor.

Level

The Level switches reduce the monitor output in 10 dB steps (-10 dB, -20 dB and with both switches set to ON, -30 dB). The effects of these switches combine with the effect of the rotary level adjustment control. The total setting range is 42 dB.

Stored

The Stored switch selects between the application of the above listed controls on the monitor's back panel and applying the settings stored inside the monitor memory using the GLM calibration software. Setting the Stored switch to the OFF position selects the settings defined by the monitor's controls. Setting the Stored switch to ON position selects the use of internally stored GLM settings and the adjustments on the monitor have no effect.

Operating Environment

This product is designed for indoor use only. The permissible ambient temperature is 15-35 degrees Celsius (50-95°F) and relative humidity 20% to 80% (non-condensing). To prevent condensation of humidity, after the product has been stored or transported in a cool environment and is then taken into a warm room, wait 0.5-1 hours before opening the packaging and connecting to the mains power.

Sufficient cooling around the 8351B must be ensured. The minimum clearance behind, above and on both sides of the monitor is 50 mm (2 in). If the product is installed in a recess, the space must be ventilated sufficiently to dissipate the heat.

Mounting And Placing Monitors

Mounting Options

The vibration insulating Isolation Positioner/Decoupler™ (Iso-Pod™) table stand allows tilting of the monitor. The stand

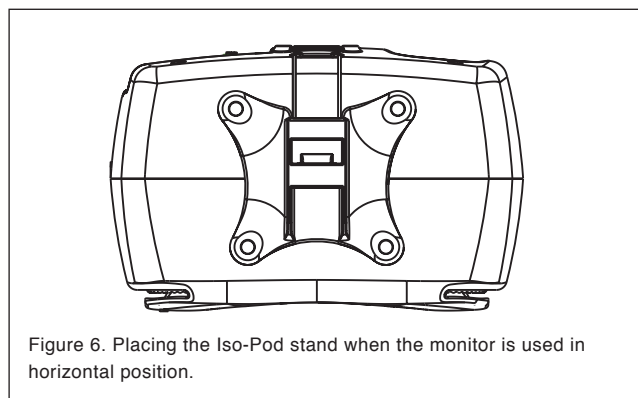


Figure 6. Placing the Iso-Pod stand when the monitor is used in horizontal position.

spring can be attached to three mounting points on the 8351B enclosure, allowing the Iso-Pod to be used on one vertical and two horizontal positions. With horizontal positioning, the Iso-Pod must be at its furthest forward position (See Figure 6).

Aim the monitor so that its acoustic axis points towards the listening position (see Figure 4). Place the monitors symmetrically at equal distances from the listening position. If possible, place the listening position on the left-right centerline of the room (see Figure 5). When a monitor is placed far away (1.0-2.2 m, 3-7 ft) from the acoustically hard wall behind the monitor, an acoustic reflection from the wall may cause cancellation of low frequencies and reduce the bass output.

Minimize reflections by placing the monitors away from acoustically reflective surfaces. Acoustic reflections from objects like desks, cabinets and computer monitors can cause unwanted coloration and blurring of the sound image. Putting the monitors on stands behind and above a mixing console usually improves the response over placing monitors on a meter bridge. Symmetrical positioning of the sound reflecting objects maintains a balanced soundstage (see Figure 5).

A wide variety of ceiling and wall mounts are available through your Genelec dealer. Genelec 8351B can be fitted with König & Meyer monitor mounts using two M6 x 10 mm threaded holes on the enclosure back. There is an M10 x 10 mm threaded hole in the base of the monitor. Do not use the M10 thread for mounting the monitor on a microphone stand. Monitor stands typically have an incompatible 3/8 in UNC thread. Consult the Genelec Accessories Catalogue at www.genelec.com or your local distributor/dealer for information.

Front Panel Light

Normally, the light on the front panel is green, indicating normal operational mode. Red and yellow colours are used to indicate special situations. See Table 2.

Use With Subwoofers

In situations requiring deeper fundamental response or multichannel bass management, Genelec recommends using the 7300 series subwoofers or the W371 Adaptive Woofer System. For more detailed system configuration and matching products, please consult the on-line Genelec Product Selection Tool at www.genelec.com.

Maintenance

There are no user serviceable parts inside the monitor. Maintenance or repair must only be done by Genelec certified

service personnel. The monitor enclosure must not be opened. Opening the monitor may lead to loss of the individual monitor factory calibration and damage to components.

Safety Considerations

Although the 8351B has been designed in accordance with international safety standards, to ensure safe operation and to maintain the monitor under safe operating conditions, the following warnings and precautions must be observed:

- Servicing and adjustment must only be performed by certified Genelec service personnel. The monitor enclosure must not be opened.
- Do not use this product with an unearthed mains cable or a mains connection without the protective earth contact as this may lead to personal injury.
- To prevent fire or electric shock, do not expose the unit to water or moisture.
- Do not place any objects filled with liquid, such as vases on the monitor or near it.
- Note that the amplifier is not completely disconnected from the AC mains service unless the mains power cord is removed from the monitor loudspeaker or the mains outlet.
- Free flow of air behind and around the monitor is

necessary to maintain sufficient cooling. Do not obstruct airflow around the monitor.

WARNING!

The 8351B is capable of producing sound pressure levels in excess of 85 dB, which may cause hearing damage. Sound exposure level integrated over an 8 hour working day should be limited to 80 dB(A) to reduce the risk of permanent hearing damage. For each 3 dB increase in sound exposure, half the exposure time should be observed (equal energy).

Guarantee

The Genelec 8351B is guaranteed for two years against manufacturing faults or defects altering performance. In addition to this, you can get additional three years of guarantee that covers spare part costs by registering your product at www.genelec.com. Refer to the reseller for full sales and guarantee terms.

Compliance To FCC Rules

Note: This equipment has been tested and found to comply with the limits for a Class B digital device, pursuant to part 15 of the FCC Rules. These limits are designed to provide

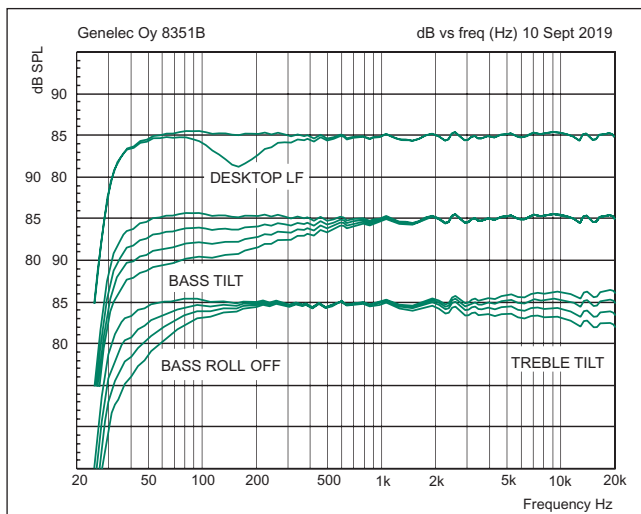


Figure 7. The curves above show the effect of the "Bass Tilt", "Treble Tilt", "Desktop Low Frequency" and "Bass Roll-Off" controls on the free field response of the 8351B.

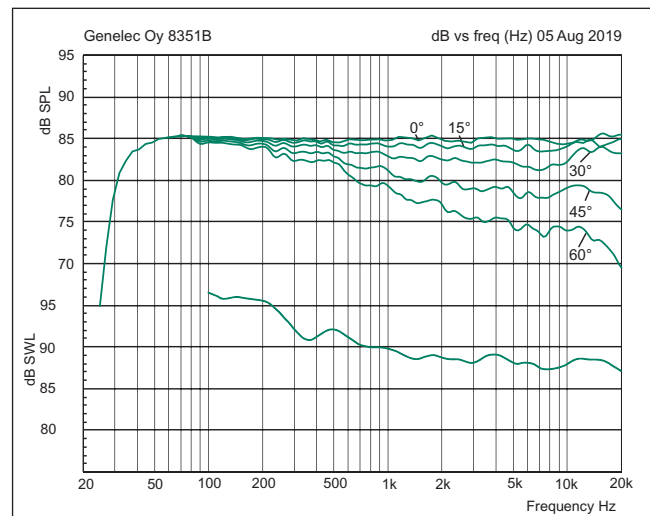


Figure 8. Frequency responses at 0, 15, 30, 45 and 60 degree horizontal angles (monitor in vertical orientation) and power response in full space. Input level -20 dBu.

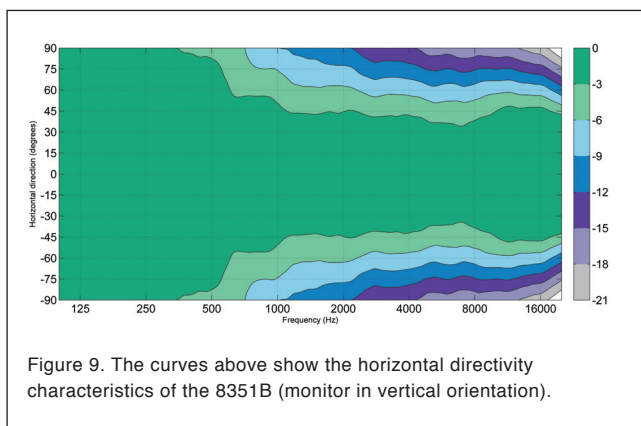


Figure 9. The curves above show the horizontal directivity characteristics of the 8351B (monitor in vertical orientation).

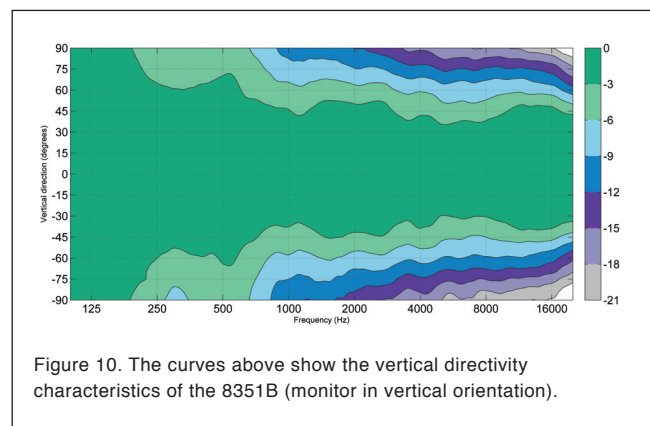
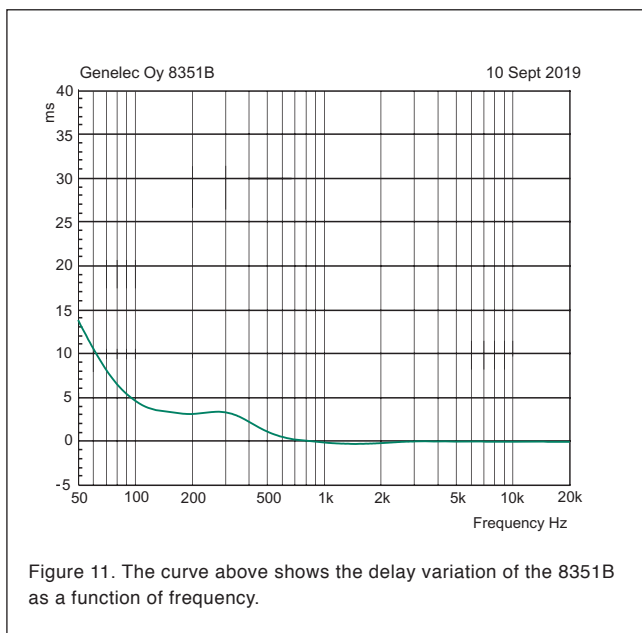


Figure 10. The curves above show the vertical directivity characteristics of the 8351B (monitor in vertical orientation).



reasonable protection against harmful interference in a residential installation. This equipment generates, uses and can radiate radio frequency energy and, if not installed and used in accordance with the instructions, may cause harmful interference to radio communications. However, there is no guarantee that interference will not occur in a particular installation. If this equipment does cause harmful interference to radio or television reception, which can be determined by turning the equipment off and on, the user is encouraged to try to correct the interference by one or more of the following measures:

- Reorient or relocate the receiving antenna.
- Increase the separation between the equipment and receiver.
- Connect the equipment into an outlet on a circuit different from that to which the receiver is connected.
- Consult the dealer or an experienced radio/TV technician for help.

Modifications not expressly approved by the manufacturer could void the user's authority to operate the equipment under FCC rules.

SYSTEM SPECIFICATIONS

Lower cut-off frequency, -6 dB	< 32 Hz
Upper cut-off frequency, -6 dB	> 43 kHz
Accuracy of frequency response, ± 1.5 dB	38 Hz – 20 kHz
Maximum short term sine wave acoustic output on axis in half space, averaged from 100 Hz to 3 kHz at 1 m	≥ 113 dB SPL
Maximum long term RMS acoustic output in the same conditions with IEC weighted noise (limited by driver protection circuit) at 1 m	103 dB SPL
Maximum peak acoustic output per pair in a listening room with music material at 1 m	118 dB
Self generated noise level in free space at 1 m on axis (A-weighted)	≤ 5 dB
Harmonic distortion at 90 dB SPL at 1 m on axis Freq: 50...100 Hz > 100 Hz	< 2 % < 0.5 %
Drivers Bass Midrange Treble	Dual 218 x 101 mm (8 ⁵ / ₈ x 4 in) obround cones 130 mm (5 in) cone (coaxial) 25 mm (1 in) metal dome (coaxial)
Weight	14.3 kg (31 lb)
Dimensions Height including IsoPod stand Height without IsoPod Width Depth	454 mm (17 ⁷ / ₈ in) 433 mm (17 in) 287 mm (11 ¹ / ₃ in) 278 mm (11 in)

AMPLIFIER SECTION

Bass amplifier short term output power Midrange amplifier short term output power Treble amplifier short term output power (Long term output power is limited by driver protection circuitry)	250 W 150 W 150 W
Amplifier system THD at nominal output	<0.05%
Mains voltage	100-240 VAC 50/60 Hz
Power consumption ISS active Idle Full output (short term)	< 1 W 16 W 250 W

SIGNAL PROCESSING

	8351B
Analog signal input connector XLR female, balanced 10 kOhm	pin 1 gnd pin 2 non-inverting pin 3 inverting
Maximum analog input signal Analog input sensitivity (100 dB SPL at 1 m) Analog input sensitivity control	+25.0 dBu -6 dBu Adjustable from +36 to -6 dBu
Digital signal input connector XLR female 110 Ohm Digital signal output / Thru connector XLR male 110 Ohm	AES/EBU Single Wire AES/EBU Single Wire
Digital audio input Word length Sample rate Digital input sensitivity (100 dB SPL at 1 m) Digital input maximum attenuation using DIP switches Digital input maximum attenuation using GLM software	16 - 24 bits 32 - 192 kHz -30 dBFS 42 dB 120 dB
Control network Type Connection	Proprietary GLM™ network 2 RJ45, CAT5 cables
Crossover frequencies Bass/Mid Mid/Treble	320 Hz 2800 Hz
GLM™ software frequency response adjustment* Parametric notch filters Shelving filters	16 2 LF and 2 HF
System room response calibration	Genelec GLM AutoCal™, GLM™ manual, Stand-alone*

* The notch and shelving filters adjustments, AutoCal™ and GLM™ manual system calibration features are part of the Genelec Loudspeaker Manager (GLM™) software

GENELEC®

International enquiries:
Genelec, Olvitie 5
FIN-74100, Iisalmi, Finland
Phone +358 17 83881
Fax +358 17 812 267
Email genelec@genelec.com

In the U.S. please contact:
Genelec, Inc., 7 Tech Circle
Natick, MA 01760, USA
Phone +1 508 652 0900
Fax +1 508 652 0909
Email genelec.usa@genelec.com

In Sweden please contact:
Genelec Sverige
Ellipsvägen 10B
P.O. Box 2306
S-127 02 Skärholmen
Phone +46 8 449 5220
Fax +46 8 708 7071
Email info@genelec.com

In China please contact:
Beijing Genelec Audio Co.Ltd
B33 - 101
Universal Business Park
No. 10 Jiuxianqiao Road
Chaoyang District
100015 Beijing, China
Phone +86 (10) 5823 2014, 400 700 1978
Email genelec.china@genelec.com