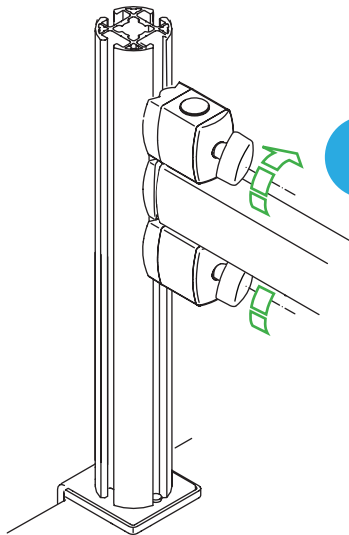
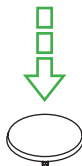
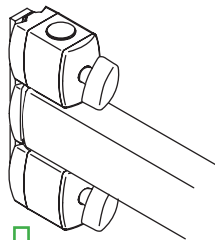
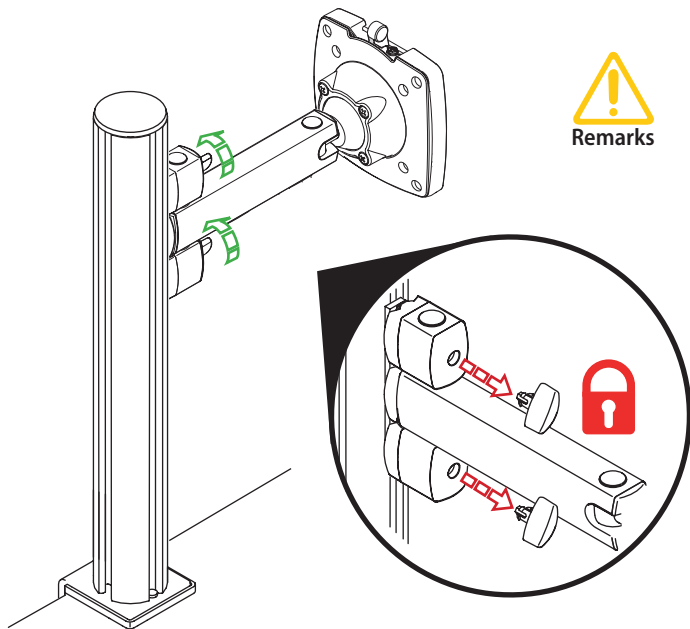


# m!ka MMS Monitor Mount



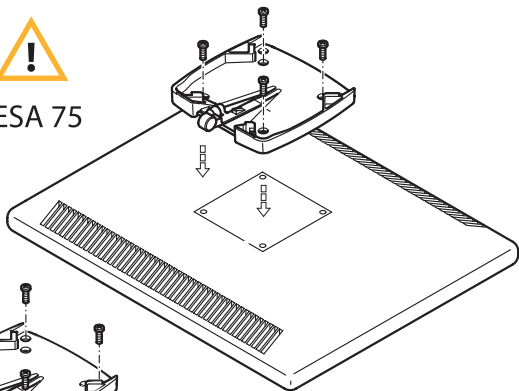
Remarks



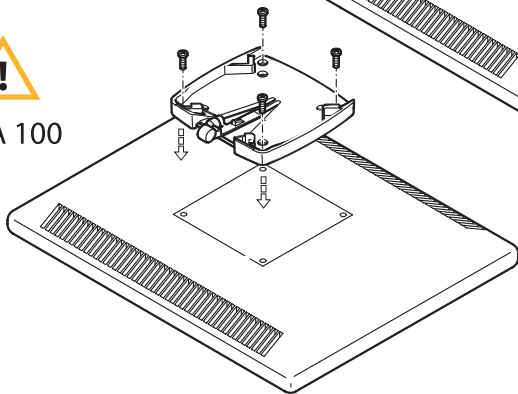


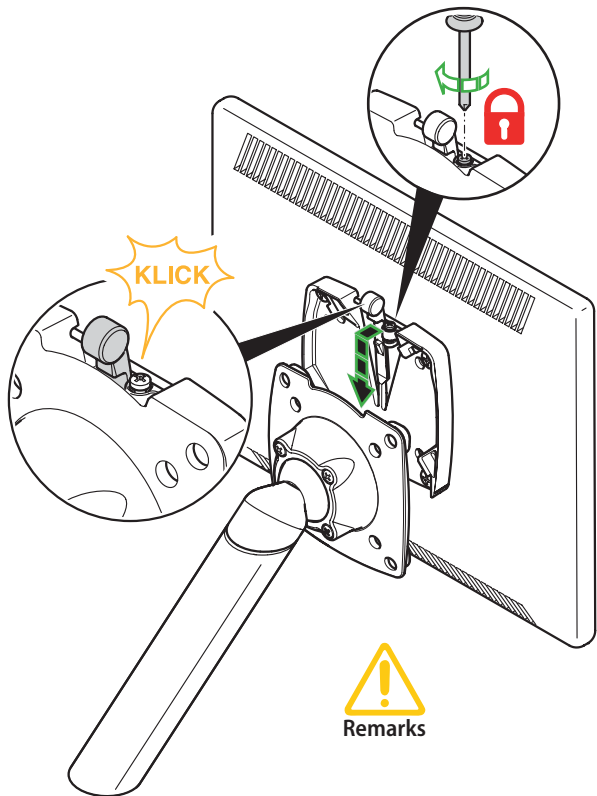


VESA 75

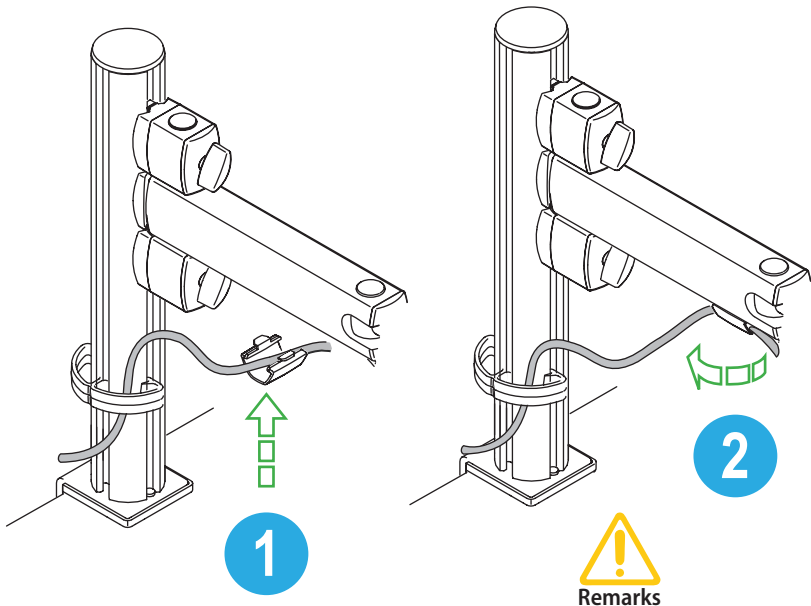


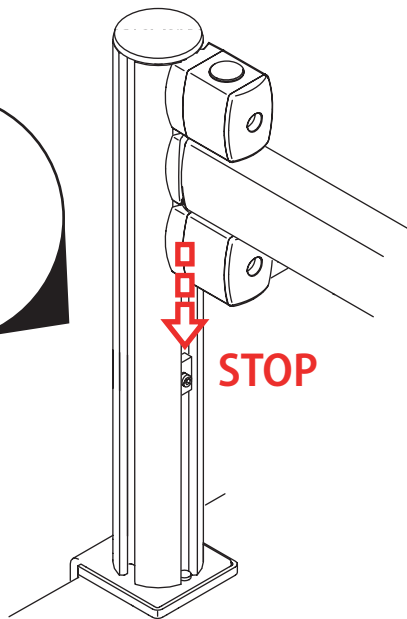
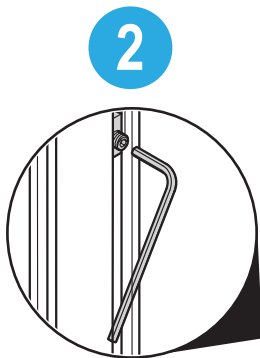
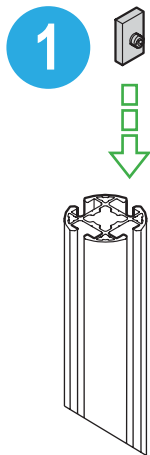
VESA 100





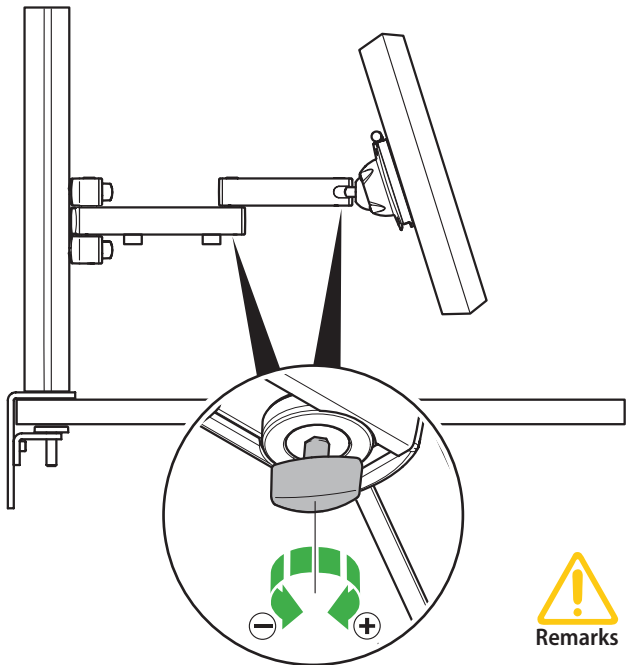
# m!ka MMS Cable Clamp





Remarks

# m!ka MMS Monitor Arm (Friction)



hole of 12mm diameter for the PDM Kit.

- If you needed to use your own threaded bolt make sure you use M10 metric thread.
- The cable organizer clip will help to tidy your wiring.

Page 13

- Never use the Power Sting other than with the original m!ka Bushing. Table clamps are not suitable to hold an MMS arm. Use a gripper to fix the Power Sting.

Page 14

- When installing the m!ka Ceiling Mount it is your obligation to verify that your ceiling and your fasteners are suitable to hold the load.

Page 15

- When installing the m!ka Wall Mount it is your obligation to verify that your wall and your fasteners are suitable to hold the load.

Page 16

- Make sure you have checked the max. payload of your m!ka Monitor Arm. The information is printed on the product label on the rearside of the QuickFix.
- See Page 21 for how to secure a minimum headroom under your monitor.

Page 17

- In order to prevent unintended changes to the MMS height position simply remove the thumbscrews by pulling them out. Before you remove the screws make sure they are all properly tightend.

Page 18

- The MMS QuickFix adapter is suitable to be used with VESA 75 and VESA 100 fixtures.



- Make that you use the correct screw size and length. Too long screws will damage your flat panel!

## Page 19

- You can deactivate the QuickFix function for security reasons. Turn in the screw next to the release lever in order to disengage its function.

## Page 20

- Insert the cable organizer clips into the bottom profile of the MMS Arm and turn it 90° to fix it.

## Page 21

- To secure a minimum vertical position of your monitor insert the MMS Safety Stop Nut into the MMS pole. Use an allen key and fasten it properly.

## Page 22

- Use the allen key of the thumbscrew for the height adjustment to de- or increase the friction of the joints of your m!ka Monitor Arm

## Page 23

- To secure proper upright positioning of the m!ka Bushing drill a hole with a minimum diameter of 22 mm.

- The thread of the bushing is metric; should you ever need to replace the nut make sure you use the correct M20x1,5 thread.

## Page 24

- Use an allen key to fix the MMS Pole Adapter properly.

- Use a Yellow Spacer with the MMS Pole Adapter.