

HHB PORTADRIVE: QUICK START GUIDE V1.3

1. Connect a power source

- Plug the 4-pin XLR of the supplied AC Adapter into the DC INPUT socket on the left side panel, or
- Insert the supplied NP-L50 Lithium Ion battery (shipped discharged) into the battery compartment and turn the thumbwheel on the compartment door clockwise to lock in place.

Tip – we recommend that a charged NP-L50 battery is always fitted even when powering from an external supply. This ensures that in the event of an external power failure, PORTADRIVE will seamlessly switch to being powered from the internal NP-L50 battery.

Note - It is possible to charge the supplied IDX NP-L50 battery inside PORTADRIVE. To do this, you must power PORTADRIVE using the supplied AC adapter. To start charging, power on PORTADRIVE, access the top panel SETUP menu, and then select PWR using the F3 function key. Cursor to the 'Power Mode' box (accessible only if PORTADRIVE is powered by the AC adaptor) and use the data wheel to change the mode from ANALOG AUDIO to BATTERY CHARGER. A complete charge cycle takes about 8 hours. Charging is not possible with PORTADRIVE turned off.

2. Insert an HDD caddy

- Insert the REMOVABLE HDD CADDY into the caddy compartment on the left hand side panel pushing firmly home, then turn the caddy thumbwheel fully 90 degrees clockwise.

Note – If the HDD caddy is inserted after boot-up, it is necessary to mount it using SCAN (F3) in the top panel DISK menu.

3. Power ON PORTADRIVE

- Press the POWER SWITCH located on the top panel.

Tip – During transit, set the TOP PANEL ON/OFF switch located on the top panel to the OFF position (opposite direction to the silk-screen arrow) to prevent the POWER SWITCH from accidentally powering ON PORTADRIVE and inadvertently discharging the internal battery.

4. Using the front panel MODE keys (INPUT, BUSMIX, TRACK, OUTPUT) and rotary encoders 1- 6.

- Pressing a MODE key simultaneously selects the metering signals and the associated front panel LCD menu.
For example, pressing the INPUT MODE key will switch the metering to monitor the eight INPUT signals and switch the LCD to display the last accessed page from the INPUT menu.
- Pressing a MODE key again and again will cycle through the various pages of the associated menu.
- The top row of the current front LCD menu shows a description of the parameters that can be adjusted using the rotary encoders directly below. The bottom row shows the current setting/value of the associated parameter and most of these parameters can be adjusted by rotating the corresponding rotary encoder directly below the displayed setting/value.

5. Using the top panel MODE keys and FUNCTION keys (F1-F6)

- Pressing a MODE key selects the associated top panel LCD menu.
- The button graphics in the bottom row of the LCD screen describe the page that will be selected by pressing the corresponding FUNCTION key (F1-F6) directly below each graphic.

6. Create a new session

- Think of a session as a container for all your recorded audio and its associated metadata. It is therefore necessary to create a session before recording can take place.

- a) Firstly, ensure the disk to be recorded to is formatted. This can be format FAT32 (BWF/AES31) or in Portadrive OS >V1.2, HFS (SDII/PROTOOLS V5). The format function is located in the top panel DISK menu accessed by pressing the DISK MODE KEY.
- b) Choose where to store the new session to be created. Access the DISK mode by pressing the DISK MODE KEY located on the top panel.
- c) Navigate to the disk partition of your choice by pressing the top panel function key, F6 ('OPEN').
- d) Navigate to the root directory level by using function key, F6 ('OPEN'). The directory level 'DIR: INT HD/1' is shown at the top of the top panel LCD screen. If required, you can choose to create a new directory (folder) by pressing F4 (NEW). To create a folder, refer to the 'CREATE NEW FOLDER' section in the Operations Manual.
- e) Now access the SESSION mode by pressing the SESSION MODE KEY located on the top panel then select the 'NEW ...' function by pressing the F5 or F6 function key. Now you can set the name and parameters for this new session – refer to page 70 for details. Just below the 'Based on template' box, the page displays a 'Current folder' information line that shows in which directory/folder the new session will be stored. If you have not navigated to a valid directory using the DISK MODE, this line will instruct you to

'Please select a folder in DISK mode'.

Select a template: To quickly and automatically configure PORTADRIVE to your requirements, select a template in the 'Based on template' box. The options are shown in the TEMPLATE OPTIONS table: -

TEMPLATE OPTIONS	
Template	Description
NONE	No change to the Portadrive's current configuration. (>V1.2)
2CH MODE	Emulates a traditional 2-channel recorder such as a PORTADAT etc. Inputs 1 & 2 are recorded direct to Disk tracks 1 & 2. No mixing necessary.
4-2 MODE	4 Microphone inputs mixed to disk tracks 1 & 2 - emulates a typical 4-channel mixer to DAT scenario.
5+1 MODE	5 Microphone inputs recorded discreetly to disk tracks 1-5 and a mono mix of the 5 microphone inputs recorded on disk track 7(L).
6+2 MODE	6 Microphone inputs recorded discreetly to disk tracks 1-6 and a stereo mix of the 6 microphone inputs recorded on disk tracks 7(L) and 8(R).
6-2 MODE	6 Microphone inputs mixed to disk tracks 1 & 2.
8CH DIG	8 AES Digital inputs recorded discreetly to disk tracks 1-8; Disk tracks 1-8 routed to 8 AES digital outputs.
User 1 – 10	10 user-configurable presets.

Simultaneous Recording (>V1.2): It is possible to simultaneously record tracks 7&8 to an external disk via the SCSI port, for example, if you would like to simultaneously record a stereo or mono rushes mix to external DVDRAM or HDD. In this case, tracks 1-6 are recorded internally and tracks 7&8 are recorded externally. In the 'Stereo Tracks 7&8' box, select 'EXTERNAL DRIVE' to simultaneously record these tracks externally. Selecting 'SAME DRIVE' ensures all 8 tracks (if armed) are recorded to the internal drive.

Sample rate and bit depth: Select the sample rate and bit depth required for the session.

Once you are happy with the new session settings press the OK function using the F5 or F6 function key. Press the OK function again when the confirmation message appears. The new session will automatically be created.

YOU ARE NOW READY FOR RECORDING!

Note – If you forget to create a session, PORTADRIVE will automatically create a default session called 'SESSION 1' for you so that you can start recording straight away. Obviously you

should be aware that this default session may not be set up correctly for your application, but at least something will be recorded.

Tip – TEXT ENTRY. If you need to name or enter text, for example naming a new session, you may find it more convenient to use a standard QWERTY keyboard rather than the CURSORS and DATA WHEEL on the PORTADRIIVE. Plug a keyboard into the PS2 port located on the left hand side panel, press RETURN when a text box is highlighted and type away! To exit the text box, press RETURN again. You can also use the keyboard cursors to navigate around top panel screens, the F1-F6 keys to mimic the PORTADRIIVE function keys F1-F6 and the +/- keys to select data.

7. Set-up input parameters (INPUT LEVELS, MIC-ATTENUATION and HPF, LIMITER, SOURCE, PAIRING, DELAY, PHASE REVERSE)

- Access the various INPUT MODE pages by pressing the front or top panel INPUT MODE KEY.

Tip – Consider the 'INPUT ATTENUATORS' to be in the same place as the mic input gain at the top of a conventional mixing desk's channel strip; and the 'INPUT LEVELS' page rotary encoder controls to be equivalent of the input channel faders i.e. adjust the controls to achieve optimum signal to noise ratio – as high a level signal without causing analogue or digital clipping. If you have a high output mic consider using the 'INPUT ATTENUATORS' at -15dB or -30 . You should ensure the 'INPUT LEVELS' are set above 22 to remove the possibility of clipping the MIC inputs in the analogue domain.

8. Prepare mixer parameters (BUSMIX)

- Access the various input mixer (BUSMIX) pages by pressing the front or top panel BUSMIX MODE KEY.

Tip – Consider the 'BUS-MIXER INPUT LEVELS' page rotary encoder controls to be equivalent of the faders on a conventional mixing desk.

9. Select how many and which disk tracks you want to record for each take.

- Press the TRACK MODE KEY on the front panel as many times as is necessary to display the 'TRACKS 1-6 SOURCE/ARM' page. Use rotary encoders 1-6 to select a source for disk tracks 1-6 respectively.

Tip – If you are not recording audio on a track, it is best to disarm that track, i.e. turn it off. If you do not do this, you will be recording silence that requires as much disk space as actual signal. To disarm a track, set the track source to OFF. You will see the corresponding REC ARM LED stop flashing in the METERS block located on the front panel.

Note – You can arm whichever tracks you like for each take – there is no limitation as to the combinations allowed.

10. Start recording

- Turn the front panel rotary TRANSPORT CONTROL to the REC or REC LOCK position.

Note – Each time record is started, a new take will be created

11. Enter SLATE, TAKE and NOTES Metadata

- Access the front panel metadata edit menu (EDIT INFO) by pressing the DISPLAY button for > 1 second
- Access the top panel metadata edit menu (TAKE INFO) by pressing the SESSION MODE KEY then F2/3 (TAKE INFO).
- See the 'Version 1.2 Operating Manual Addendum.pdf' for details.

12. REVIEW the last take

- Turn the front panel rotary TRANSPORT CONTROL to the REVIEW position. REVIEW always only plays back the last recorded take

13. LOCATE, PLAY and REW/FFWD

- Press the top panel LOCATE key then TAKE (F1), MARKER (F2 or F3) or TC value (F4). Select a locate point using the cursors and data-wheel then press GOTO (F6) to locate to that particular point. Then press the top panel PLAY key to playback from that point.
- Press the PREV/REW or NEXT/FFWD keys to locate to previous or next TAKES respectively. The currently selected TAKE is shown in the front panel DISPLAY menu.
- During playback, press and hold the PREV/REW or NEXT/FFWD keys for more than 0.5 second to rewind or fast-forward respectively.

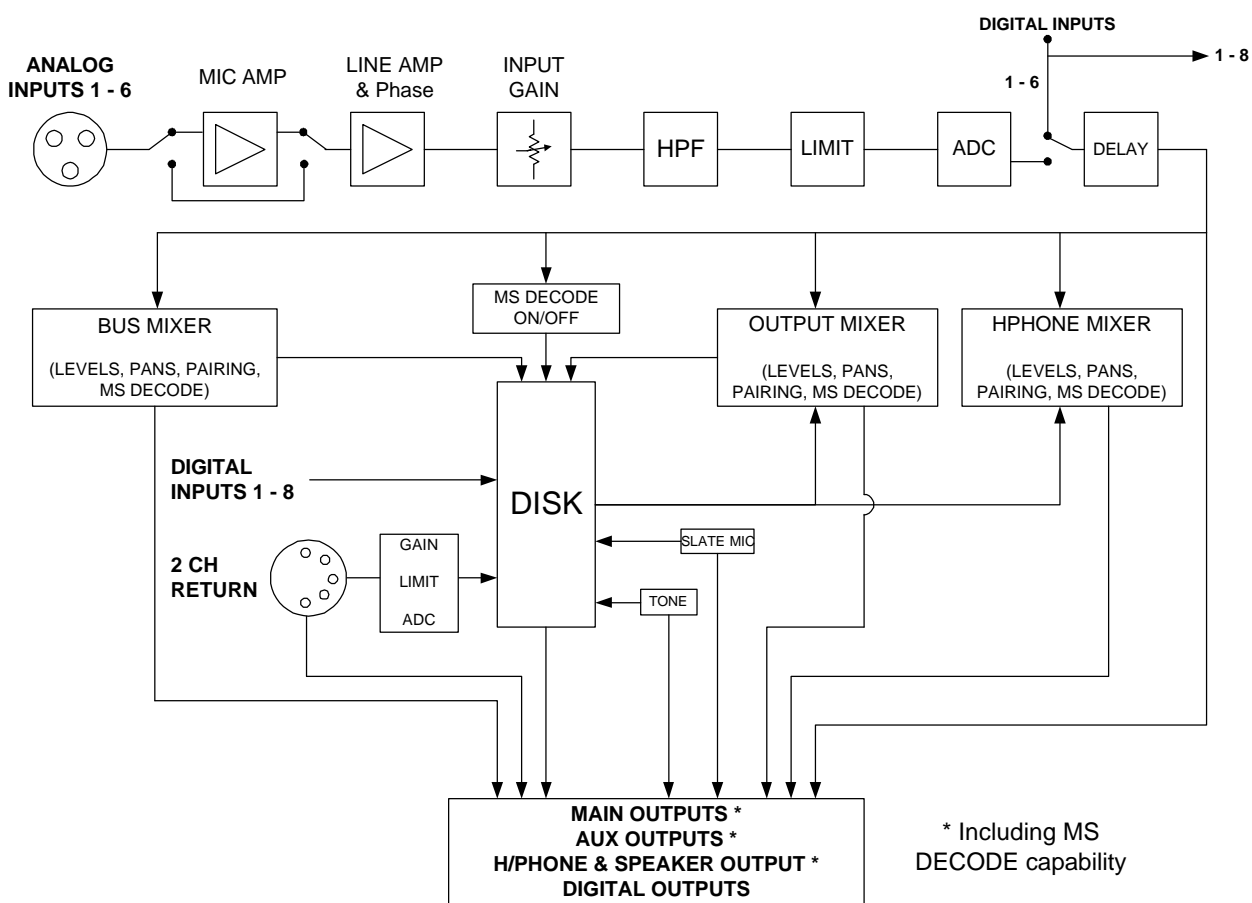
14. Open an existing session

- If you want to work with an existing session, access the top panel DISK menu and navigate to the session folder of your choice (see 6c and 6d above). Open it using the F6 key, then select either the '.adl', '.pt5' (>v1.2 software only) or 'settings.set' file using the cursor keys. Pressing F6 twice will open the selected session.

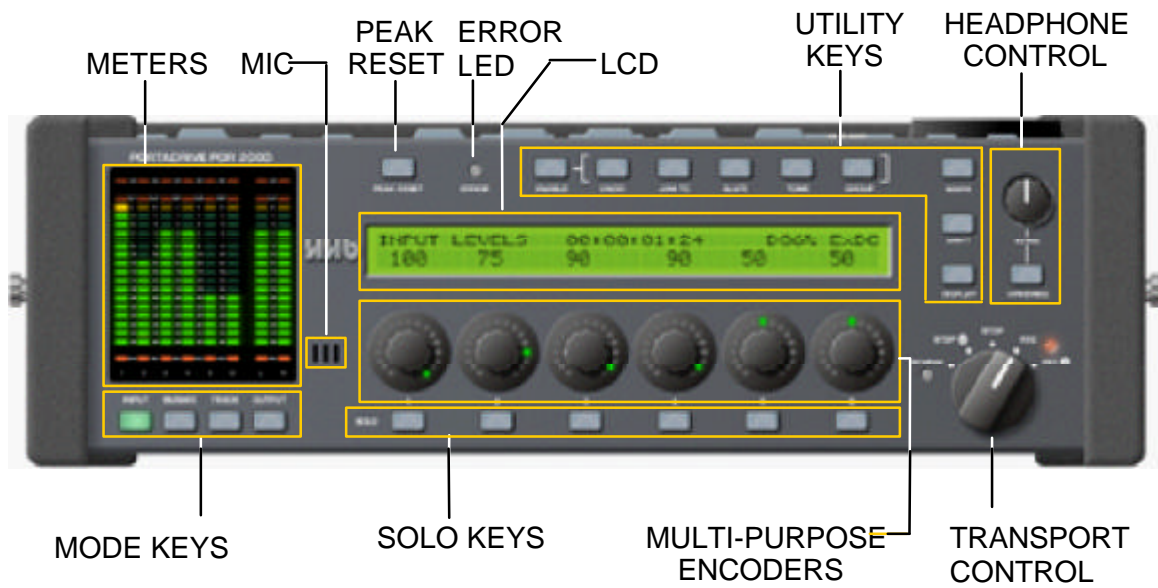
15. Power OFF PORTADRIVE

- Press the POWER button located on the top panel. At the 'Power down unit?' prompt, press YES (F5/F6). PORTADRIVE will shutdown within a few seconds.

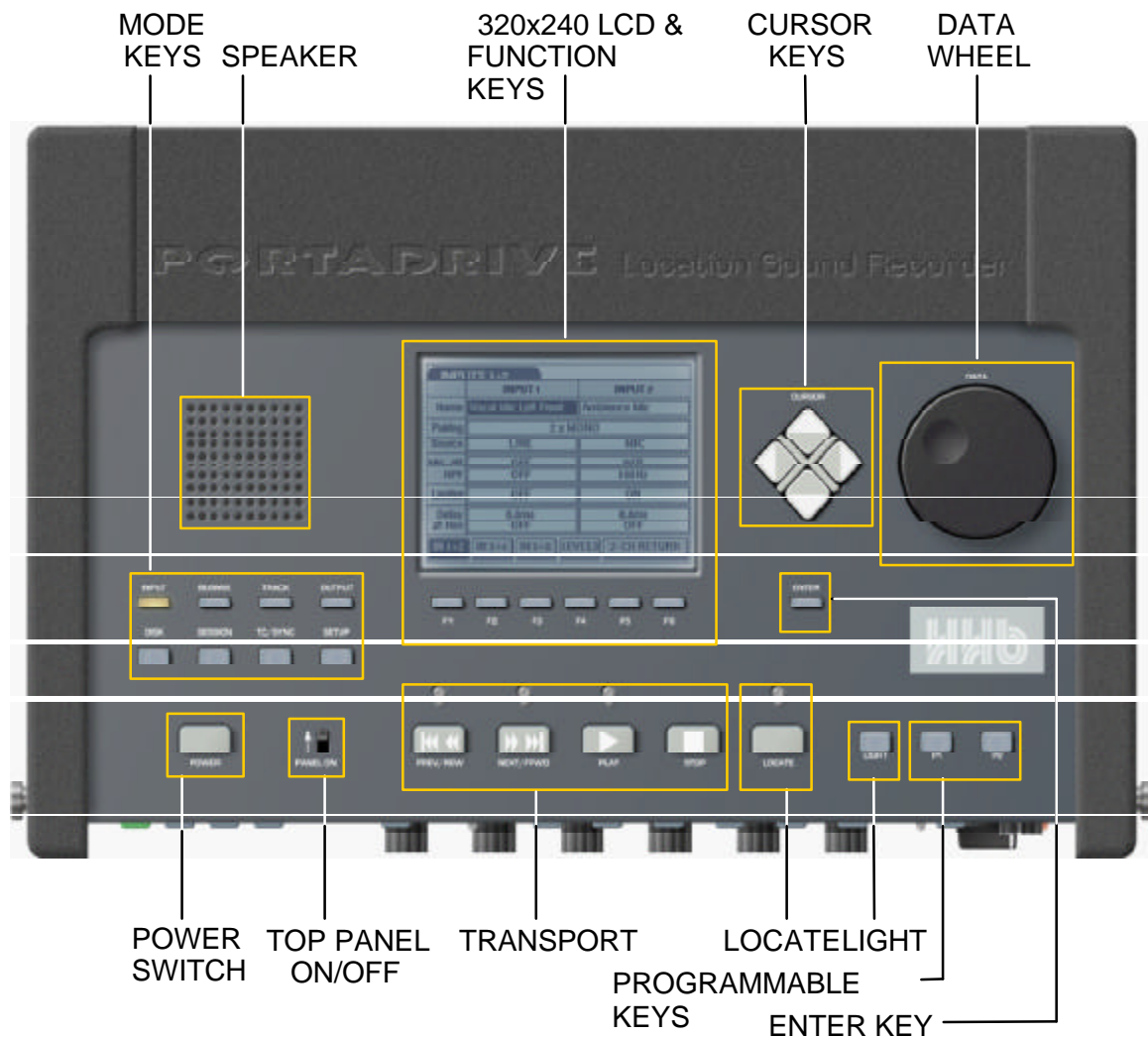
PDR2000 SIMPLE SIGNAL BLOCK DIAGRAM



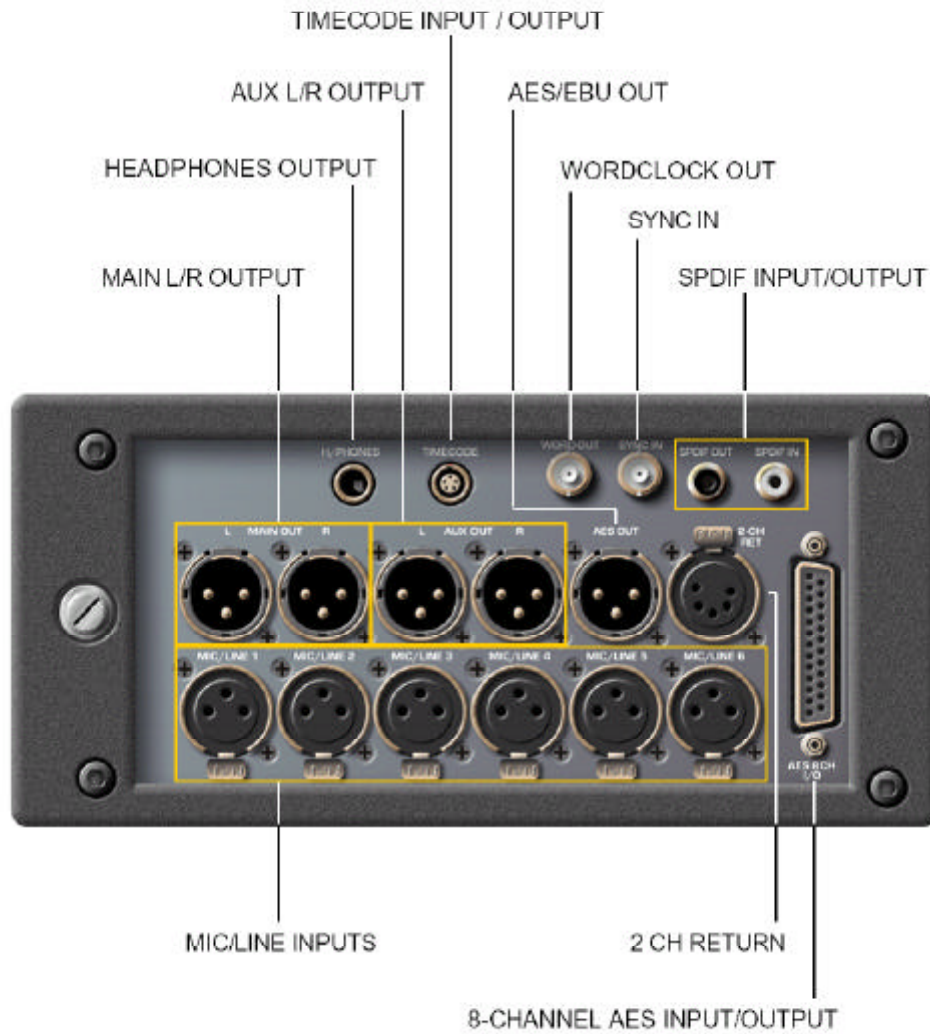
PDR2000 FRONT PANEL



PDR2000 TOP PANEL



RIGHT PANEL



LEFT PANEL

