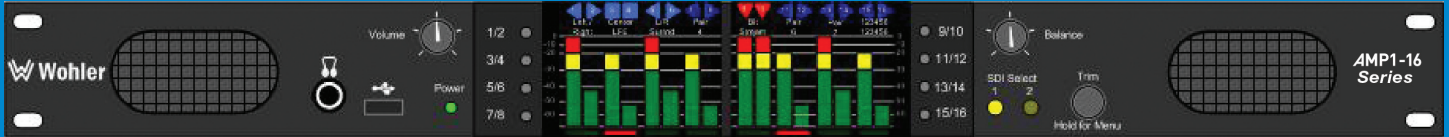


AMP1-16-M DUAL SDI AUDIO MONITOR

PRELIMINARY



Compact, low-cost unit to select and monitor up to 16 audio channels from either of two 3G/HD/SD-SDI inputs

Wohler's newest audio monitor offers fast, intuitive operation for monitoring SDI audio in the most demanding production applications. Whether in the studio or on the road, the AMP1-3G provides instantaneous selection and summing of any grouping of SDI audio pairs. It features adjustable volume and balance controls, clear display of levels, and phase indications on bright 2.4" LED-backlit LCD displays, with configurations that can be created, saved and recalled via Ethernet connection using an intuitive PC interface.

Features*

- Simultaneous level metering of 16 de-embedded audio channels from SDI
- High resolution metering with 160-segment displays
- Quick, intuitive push-button selection of any pairs to sum to monitor
- Monitor through built-in speakers, headphones or analog outputs
- Stereo or mono monitoring
- Stereo phase indicators**
- Adjustable Volume and Balance
- Adjustable Channel Trim**
- Easy update and management software from PCs
- Loop outputs of each SDI input
- Re-clocked output of the selected SDI input
- Balanced stereo analog outputs on XLR-Ms
- Automatic frame rate detection and selection
- Totally digital system architecture with high fidelity Class D amp
- Shallow chassis depth for easy installation in OB vehicles and consoles



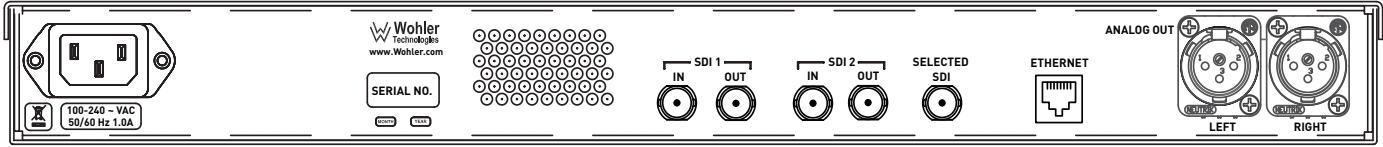
* Subject to change

** Future release

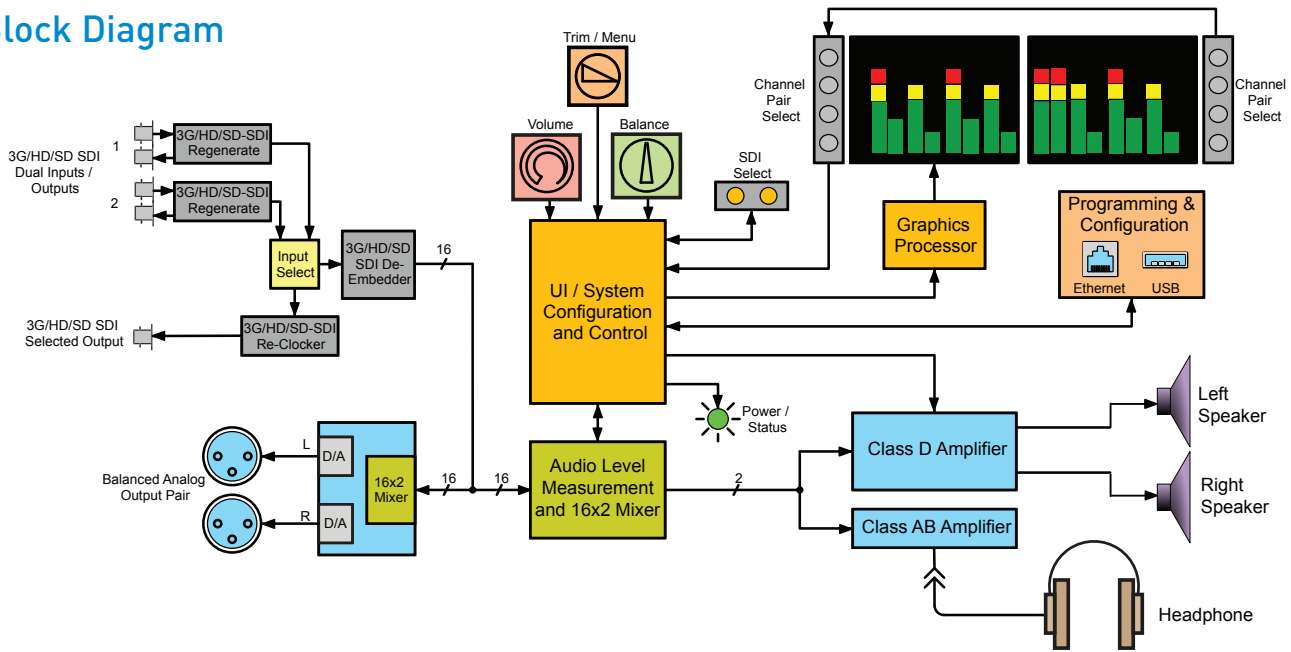
AMP1-16-M DUAL SDI AUDIO MONITOR

PRELIMINARY

Rear Panel



Block Diagram



Preliminary Specifications*

Inputs	Two 3G/HD/SD-SDI Inputs on BNC
Outputs	Two loop-through SDI Outputs on BNC Selected SDI Re-clocked Output on BNC Balanced stereo analog out on XLR-M
Interfaces	External PC control via Ethernet port Front panel USB port
Front Panel Displays	Two 2.4" LED-backlit LCDs
Level Metering	Simultaneous average and PPM
Acoustic Frequency Response	300 Hz to 16 kHz (± 5 dB)
Peak Acoustic Output	90 dB SPL at 2 feet
Power Output	6 W RMS per side, 12 W peak
Hum and Noise	Better than -68 dB below full output
Power	IEC connector 100 to 240 VAC ± 10%, 50/60Hz 60 W; self-contained power supply
Dimensions (H x W x D)	19" x 4.25" x 1.75" (483 mm x 108 mm x 44 mm)
Shipping Weight/Net Weight	7 lbs (3.2 kg) / 5 lbs (2.8 kg)

* Subject to change

Wohler Technologies, Inc.
Worldwide Headquarters
31055 Huntwood Avenue
Hayward, CA 94544 USA
Phone: +1 510 870 0810
Fax: +1 510 870 0811
Email: sales@wohler.com

Wohler Technologies/Asia
1704 Lucky Commercial Centre
103 Des Voeux Road West
Sheung Wan, Hong Kong
Phone: +852 2851 8325
Fax: +852 2850 8182
Email: salesAsia@wohler.com

Wohler Technologies/Australia
PO Box 14
South Hurstville
NSW 2221, Australia
Phone: +61 2 8005 1899
Fax: +61 2 9547 0674
Email: salesAustralia@wohler.com

Wohler Technologies/EMEA
453 Stroude Road, Virginia Water
Surrey GU25 4BU
United Kingdom
Phone: +44 (0) 2081 236 658
Fax: +44 (0) 208 181 6500
Email: salesEMEA@wohler.com