

LM26-24



LM106-4



LM53-24



## Description

Our LM Series of analog audio level meters are now available with a choice of BBC, DIN, Nordic and VU scales and “PPM Only” has also been added to the user selectable options.

Wohler professional level meters are available with 26, 53 or 106 segment bar graphs, providing very high resolution and a wide (>70dB usable) dynamic range in increments as small as 1/2 dB across midscale.

Our unique tri-color LED design means we can offer a variety of options such as phase correlation, peak hold, and alternate scales.

These units are optimized for viewing from a distance. Versions are available for analog sources, providing from 4 to 24 channels simultaneously depending on

the model, and are available as 1RU or 2RU in-rack units.

The standard display mode is set as a single segment PPM “dot” above a VU bar; each segment’s color is fixed according to its position on the scale.

Level calibration for analog input versions may be set via dip switches to select one of four different calibration levels (for analog input types) via DIP switch settings.

Ideally suited for use in VTR bays, mobile production vehicles, teleconferencing installations, multimedia systems, satellite link and cable TV facilities and on-air radio studios.

## Order Part Numbers

LM26-24:	8200-0040	(24-channel; 26-segment level meters)
LM106-4:	8200-0150	(4-channel; 106-segment level meters)
LM53-24:	8200-0110	(24-channel; 53-segment level meters)

## Features

High-resolution, tri-color LED bar graphs

0.5 to 2 dB midscale resolution

Mini-Phoenix input connectors as standard

Power indicator LED

## Benefits

Simultaneous VU (bar) and PPM (dot) bar graph display ballistics.

A front panel adjustable bar graph brightness control allows viewing in any lighting.

Custom variations of standard scales and/or color masks are available on request.

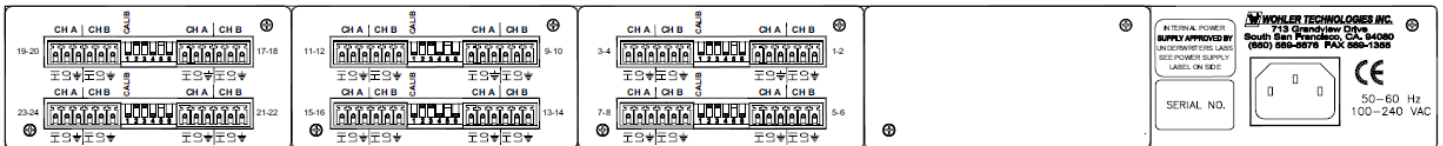
Simultaneous visual monitoring of all channels

Quick and simple installation

Industry-leading wide dynamic range prevents outer frequency-edge drop off.

## Rear Panel

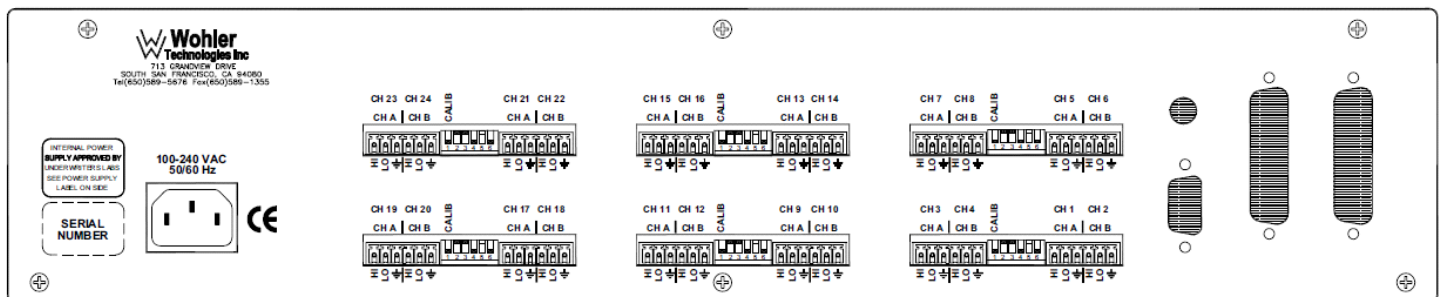
LM26-24



LM106-4



LM53-24



## Physical Specifications

Specification	LM26-24	LM106-4	LM53-24
Dimensions (H x W x D)	1.7 x 19 x 8" (44 x 483 x 203 mm)		3.4 x 19 x 8" (88 mm x 483 mm x 203 mm)
Shipping weight	8 lbs (3.63 kg)	6 lbs (2.726kg)	10 lbs (4.5 kg)
Space requirements	1RU		2RU
Supplied accessories	AC power cord		
Power requirements	Power to the unit is 100 to 240 VAC ± 10%, 50/60Hz.		
Power consumption	25 W		40 W

## Inputs and Outputs

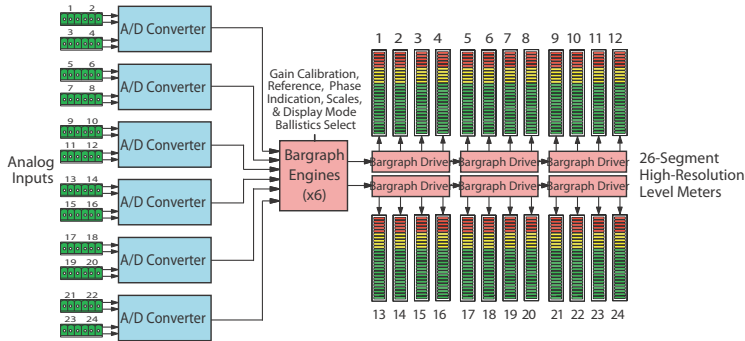
Connectors	LM26-24	LM106-4	LM53-24
Inputs	24 analog (3-pin mini Phoenix)	4 analog (3-pin mini Phoenix)	24 analog (3-pin mini Phoenix)
Outputs	none		

## Technical Specifications

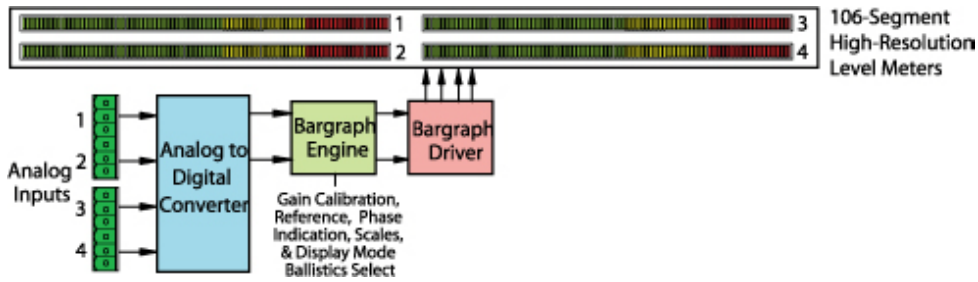
Specification	LM26-24	LM106-4	LM53-24
Level meter type	LED bar graph		
Segment quantity	26	53	106
Segment display color	tri-color (red, amber, green)		
Bar graph length	1.078" (27.85 mm)	2.22" (56.4 mm)	4.44" (113 mm)
LED segment size	0.14" x 0.028" (3.57 x 0.7 mm)		
LED segment pitch	0.041" (1.05 mm)		
Peak emission wavelength	Green: 570 nm, Red: 630 nm		
Segment brightness, (if = 20 mA)	3.5 mcd		
Segment brightness, uniformity:	<10% difference between segments		
Dynamic range	67 dB	66 dB	72 dB
Midscale resolution	2 dB	1 dB	0.5 dB
Analog full scale input	+12, +16, +18, and +20 dBu (ref level dependent)	+16, +20, +22, and +24 dBu (ref level dependent)	
Level gain (DIP switch selectable)	0, +4, +6, +8 dBu		
Analog input impedance	27k $\Omega$ balanced		

**Block Diagram**

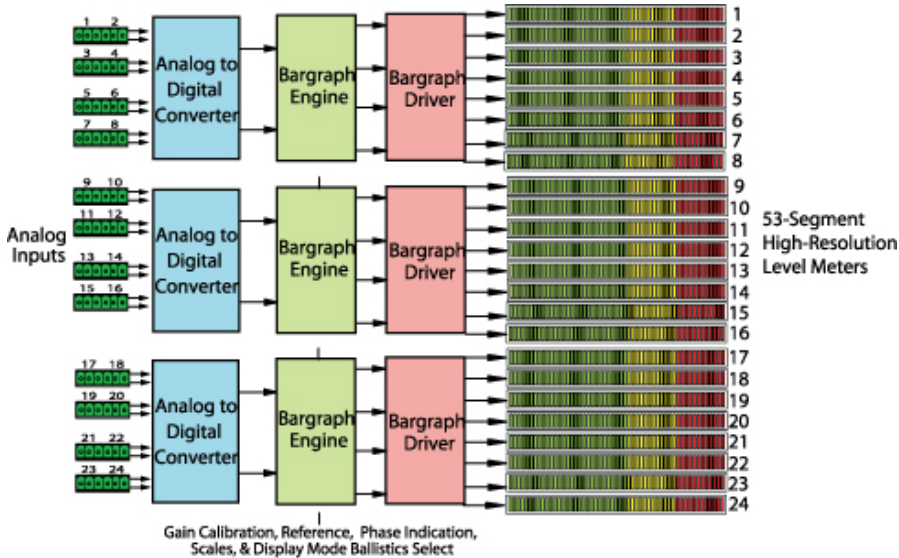
LM26-24



LM106-4



LM53-24



**Contact**

Wohler Technologies, Inc.  
 31055 Huntwood Avenue  
 Hayward, CA 94544 USA  
 +1 888 5 WOHLER (Toll Free)  
 +1 510 870-0810  
 +1 510 870-0811 (fax)

Wohler Europe  
 +33 970 440 253  
 +33 1 77 72 59 99 (fax)  
 sales@wohler.com  
 www.wohler.com

Wohler Asia  
 1704 Lucky Commercial Center  
 103 Des Voeux Road West  
 Sheung Wan, Hong Kong  
 +852 2851 8325  
 +852 2850 8182 (fax)