

**AMP1A-30**

**AMP1A-106**

**AMP1A-Plus**

**AMP1A-LP10S**


## Description

The AMP1A Series monitors provide self-powered, full fidelity stereo audio monitoring of 2 analog channels (1 stereo channel) in the smallest rack space possible. These units contain four high performance transducers driven by three power amplifiers: one amplifier/driver combination handles midrange and high frequency information in stereo, while the second handles summed low frequency information below the 500 Hz crossover point.

The unique design provides optimally focused sound for operators in an ultra near field (1 to 3 ft.) working environment and offers performance comparable to

that of many separate monitor pairs, yet does so without the installation hassles, awkward speaker placements and “added-on” look. This provides for a higher SPL for the operator while reducing overall ambient sound and adjacent bay crosstalk.

Extended HF response reveals potential problems with audio whine or hiss. Electronic rather than acoustic cancellation of bass frequencies provides positive audible detection of out-of-phase (reversed polarity) audio feeds. A headphone jack is provided on the front panel; usage automatically mutes the speakers.

## Order Part Numbers

AMP1A-30:	8100-0070 (horizontal, 30-segment meters)
AMP1A-106:	8100-0060 (horizontal, 106-segment meters)
AMP1A-Plus	8100-0320 (no level meters)
AMP1A-LP10S	8100-0130 (vertical, 10-segment meters)

The AMP1A Series monitors are ideally suited for use in VTR bays, mobile production vehicles, teleconferencing installations, multimedia systems,

satellite link and cable TV facilities, and on air radio studios.

## Features

Full fidelity audio monitoring in only 1RU

Headphone jack, mutes speakers

Premium quality drivers and power amplifiers

Two balanced analog Inputs with loop-through (1 stereo)

## Benefits

Thorough magnetic shielding allows placement next to video monitors.

Focused sound reduces adjacent bay crosstalk.

Extended Frequency Response and Low Distortion provide excellent reproduction.

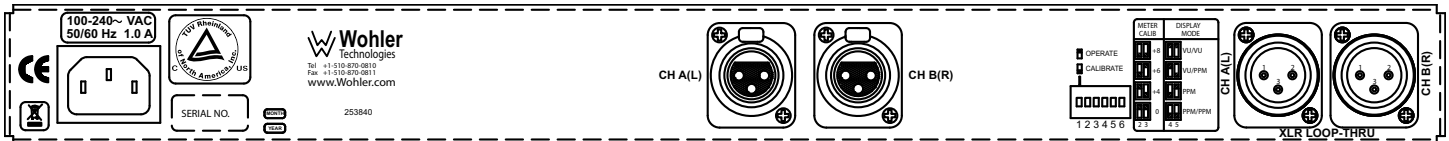
Quick and simple installation saves time.

1RU size is perfect for space-constrained environments.

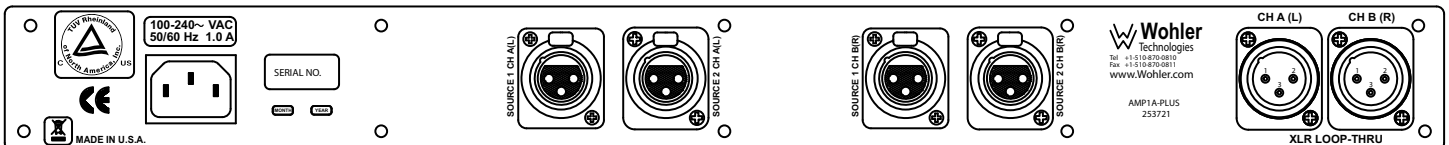
Audible indication of phase/polarity provides instant information.

## Rear Panels

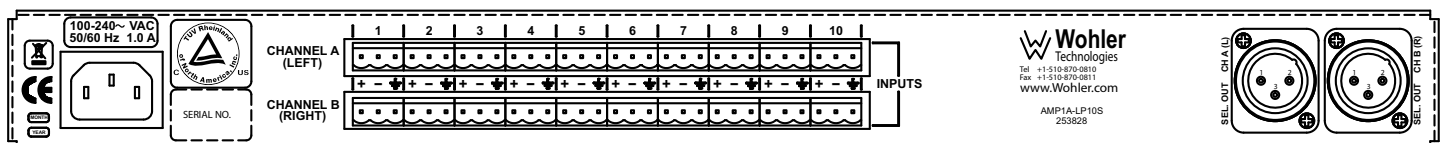
AMP1A-30 and AMP1A-106



AMP1A-Plus



AMP1A-LP10S



## Physical Specifications

Specification	AMP1A-30	AMP1A-106	AMP1A-Plus	AMP1A-LP10S
<b>Dimensions (H x W x D)</b>	1.75" H x 19" W x 12" D (44.5 mm H x 483 mm W x 298 mm D)			
<b>Shipping weight</b>	14 lbs (6.4 kg)	14 lbs (6.4 kg)	10 lbs (4.5 kg)	14 lbs (6.4 kg)
<b>Space requirements</b>	1RU in a standard 19" rack			
<b>Supplied accessories</b>	AC power cord			
<b>Power requirements</b>	Power to the unit is 24V DC, 3.0 A. The external power supply then connects to mains power (100 to 240 VAC ± 10%, 50/60Hz).			
<b>Power consumption</b>	35 W			

## Inputs and Outputs

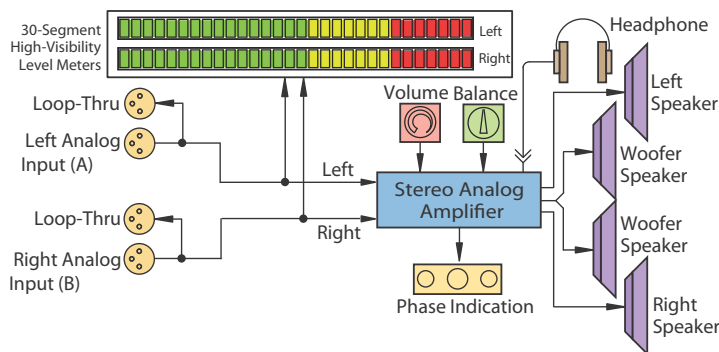
Connectors	AMP1A-30	AMP1A-106	AMP1A-Plus	AMP1A-LP10S
<b>Inputs</b>	2 balanced analog audio on XLR (left & right)		4 balanced analog on XLR (left and right)	20 balanced analog audio on 2 banks of 10 Phoenix (left & right)
<b>Outputs</b>	2 analog audio on XLR (left & right)			

## Technical Specifications

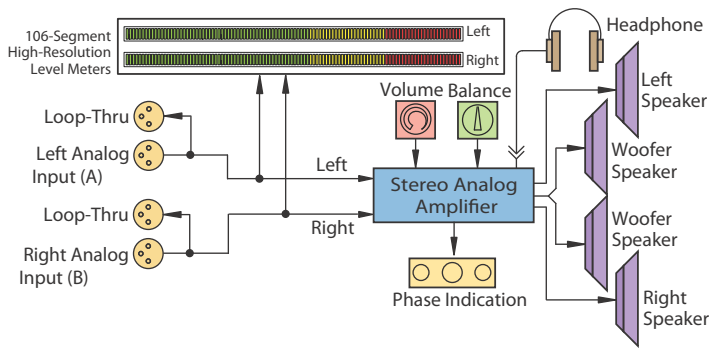
<b>Input impedance</b>	> 40k $\Omega$ balanced
<b>Input level for maximum output (volume full on)</b>	0 dB balanced
<b>Input overload</b>	+26 dBv balanced
<b>Peak acoustic output (at 2 ft.)</b>	98 dB SPL
<b>Response, 6th octave</b>	80 Hz to 16 kHz $\pm$ 7 dB (-10 dB @ 50 Hz to 22 kHz)
<b>Power output</b>	
<b>RMS each side</b>	10 W transient / 5 W continuous
<b>RMS base</b>	20 W transient / 10 W continuous
<b>Distortion, electrical</b>	< 0.15% at any level below limit threshold
<b>Distortion, acoustic</b>	8% or less at worst case frequencies above 180 kHz including cabinet resonance; typically <2%
<b>Hum and noise</b>	Better than -68 dB below full output
<b>Magnetic shielding</b>	<1 Gauss any adjacent surface

### Block Diagrams

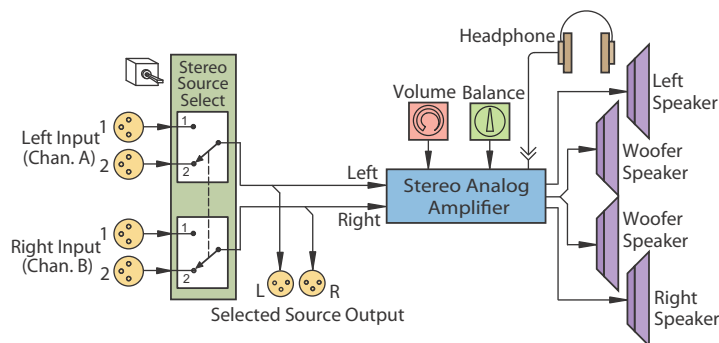
AMP1A-30



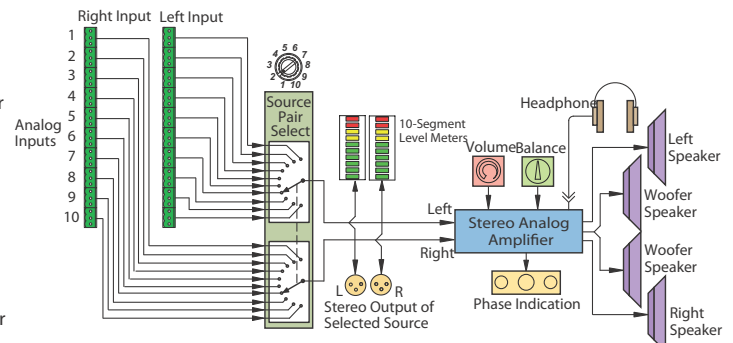
AMP1A-106



AMP1A-Plus



AMP1A-LP10S



### Contact

Wohler Technologies, Inc.  
 31055 Huntwood Avenue  
 Hayward, CA 94544 USA  
 +1 888 5 WOHLER (Toll Free)  
 +1 510 870-0810  
 +1 510 870-0811 (fax)

Wohler Europe  
 +33 970 440 253  
 +33 1 77 72 59 99 (fax)  
 sales@wohler.com  
 www.wohler.com

Wohler Asia  
 1704 Lucky Commercial Center  
 103 Des Voeux Road West  
 Sheung Wan, Hong Kong  
 +852 2851 8325  
 +852 2850 8182 (fax)