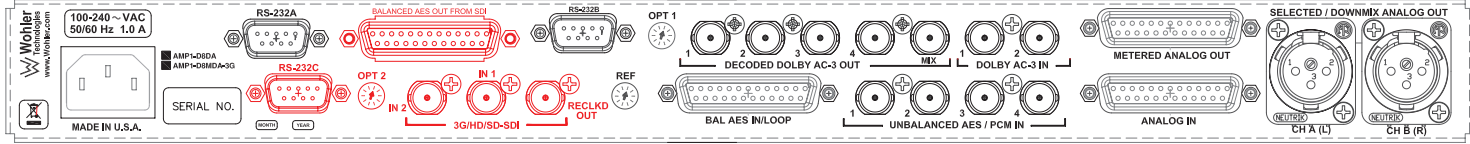
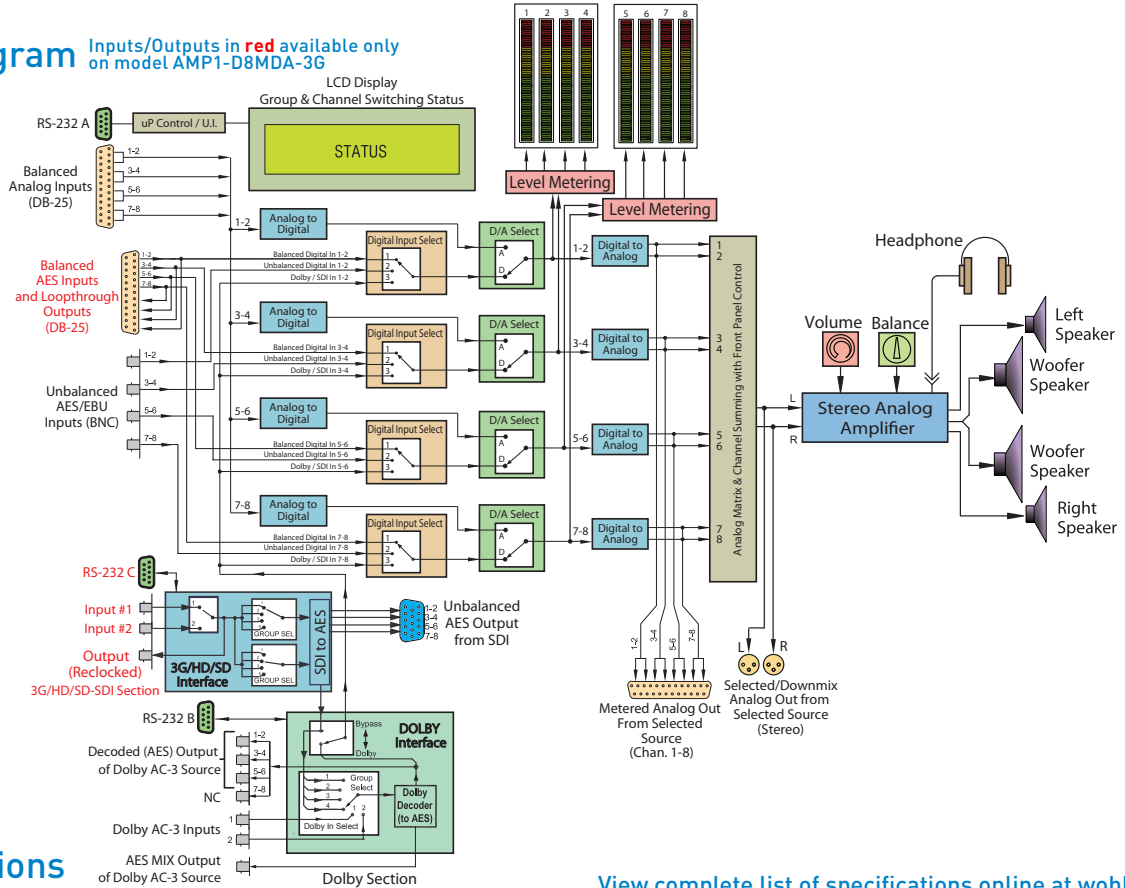


# AMP1-D8 Series™ 8 CHANNEL MONITOR WITH DOLBY® AC3

**Rear Panel** Inputs/Outputs in red available only on model AMP1-D8MDA-3G



**Block Diagram** Inputs/Outputs in red available only on model AMP1-D8MDA-3G



## Specifications

View complete list of specifications online at [wohler.com](http://wohler.com)

Inputs	4 Unbalanced AES/PCM pairs (BNC) 4 AES Balanced pairs (1 DB-25) 2 3G/HD/SD-SDI inputs (BNC) (Available only with model AMP1-D8MDA-3G) 2 Dolby AC-3 (BNC) 8 Channels analog (1 DB-25)
Outputs	4 Balanced AES pairs loop out (DB-25) 1 3G/HD/SD-SDI relocked output (BNC) (Available only with model AMP1-D8MDA-3G) 4 Decoded Dolby AC-3 (BNC) 8 Channels metered analog (1 DB-25) 4 Balanced AES outputs from SDI (DB-25) (Available only with model AMP1-D8MDA-3G) 1 Unbalanced AES pair mix out of Dolby source 2 Selected downmix analog (2 XLRs)
Power requirements	100 to 240 VAC ± 10%, 50/60Hz 60 W
Peak acoustic output at 2 feet	104dB SPL

**Wohler USA Headquarters**  
 Wohler Technologies, Inc.  
 31055 Huntwood Avenue  
 Hayward, CA 94544  
 Phone: +1 510 870 0810  
 Fax: +1 510 870 0811  
 Email: [sales@wohler.com](mailto:sales@wohler.com)

**Wohler Asia**  
 Wohler Technologies, Inc.  
 1704 Lucky Commercial Centre  
 103 Des Voeux Road West  
 Sheung Wan, Hong Kong  
 Phone: +852 2851 8325  
 Fax: +852 2850 8182  
 Email: [salesasia@wohler.com](mailto:salesasia@wohler.com)

**Wohler Europe**  
 Wohler Technologies, Inc.  
 Les Perrettes  
 26120 Barcelonne  
 France  
 Phone: +33 970 440 253  
 Fax: +33 1 77 72 59 99  
 Email: [saleseurope@wohler.com](mailto:saleseurope@wohler.com)

**Wohler UK**  
 453 Stroude Road  
 Virginia Water  
 Surrey GU25 4BU  
 United Kingdom  
 Phone: +44 (0) 2081 236 658  
 Fax: +44 (0) 208 181 6500  
 Email: [salesUK@wohler.com](mailto:salesUK@wohler.com)