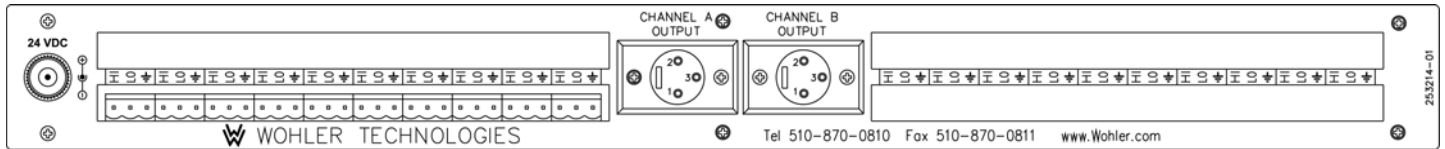
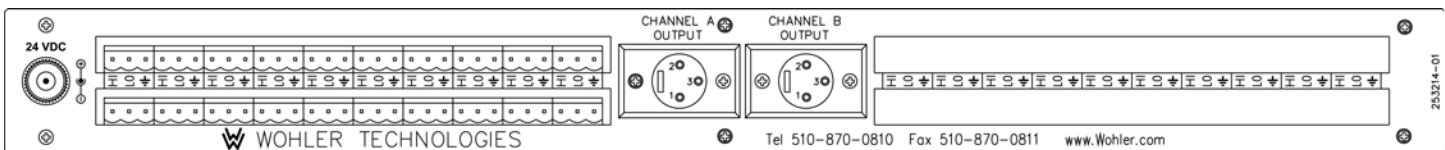


## Rear Panel

### ARS-11



### ARS-22B



## Physical Specifications

<b>Dimensions (H x W x D)</b>	1.75 x 19 x 6 inches (44.5 x 483 x 149 mm)
<b>Shipping weight</b>	8 lbs. (3.63 kg)
<b>Space requirements</b>	1RU in a standard 19" rack
<b>Supplied accessories</b>	AC external power unit/cord
<b>Power requirements</b>	Power to the unit is 100 to 240 VAC $\pm$ 10%, 50/60Hz.

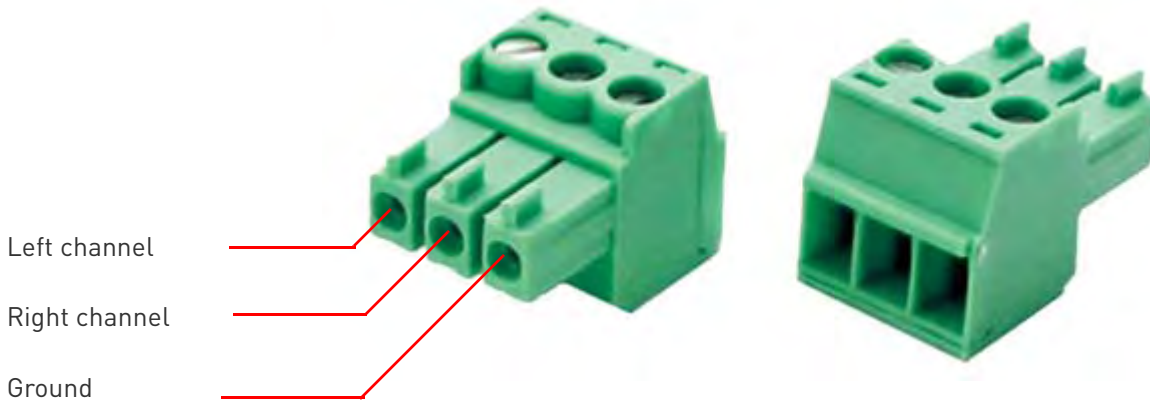
## Inputs and Outputs

Connectors	ARS-11	ARS-22B
<b>Inputs</b>	5 stereo analog pairs (Phoenix)	10 stereo analog pairs (Phoenix)
<b>Outputs</b>	2 analog audio on XLR (left & right)	

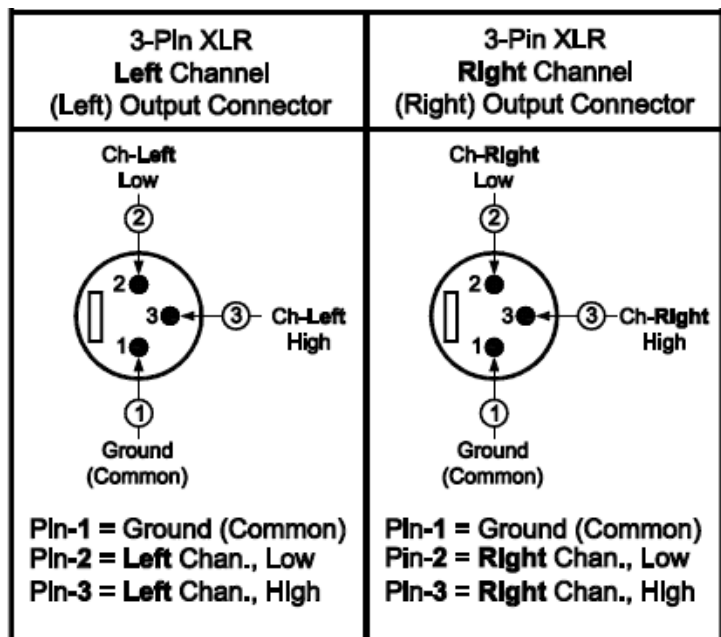
## Technical Specifications

<b>Input impedance</b>	40 k $\Omega$ balanced
<b>Input level (maximum)</b>	+26 dBv
<b>Crosstalk</b>	-65 dB
<b>Distortion</b>	< 0.05%
<b>Frequency response</b>	$\pm$ .5 dB 20 Hz - 20 kHz
<b>Noise</b>	-65 dB
<b>Maximum output</b>	+20 dBv into 600 $\Omega$

### Phoenix Input Connectors

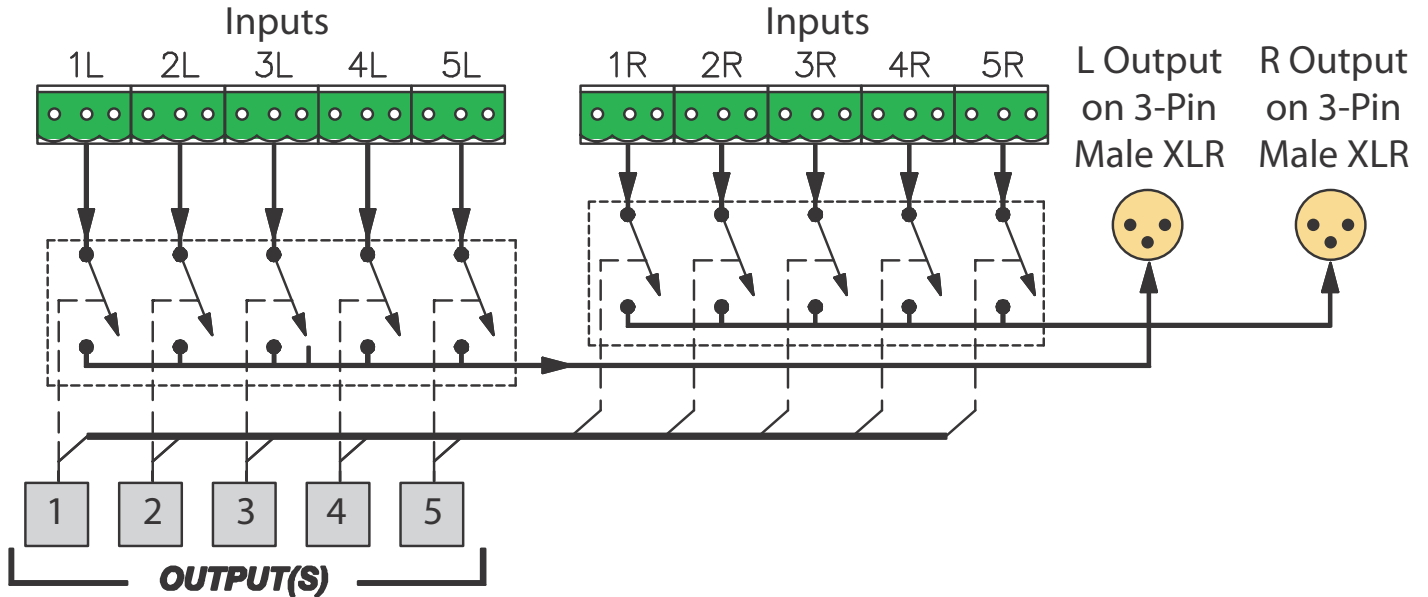


### XLR Output Connectors

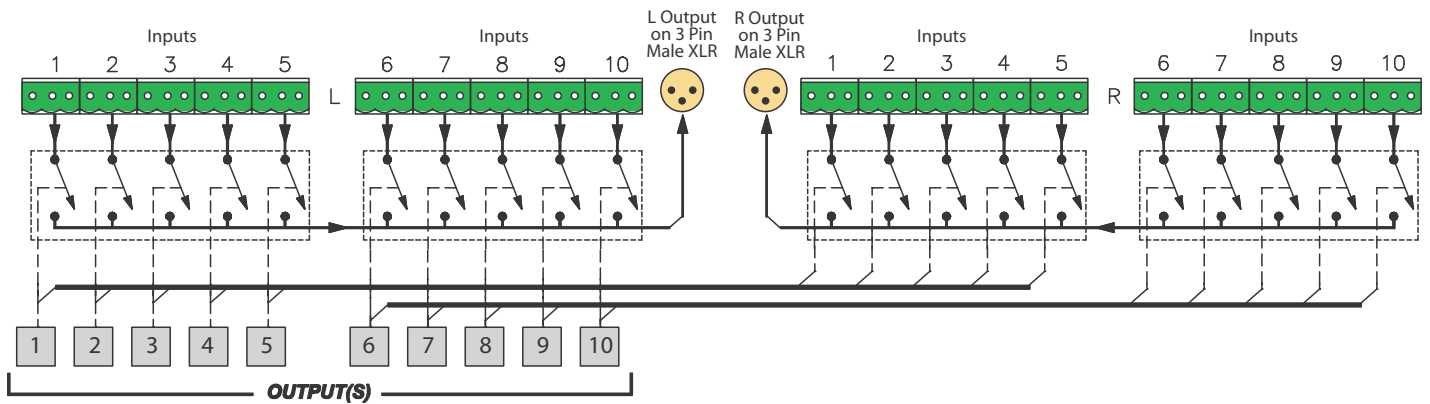


### Block Diagram

ARS-11



ARS-22B



### Contact

Wohler Technologies, Inc.  
 31055 Huntwood Avenue  
 Hayward, CA 94544 USA  
 +1 888 5 WOHLER (Toll Free)  
 +1 510 870-0810  
 +1 510 870-0811 (fax)

Wohler Europe  
 +33 970 440 253  
 +33 1 77 72 59 99 (fax)  
 sales@wohler.com  
 www.wohler.com

Wohler Asia  
 1704 Lucky Commercial Center  
 103 Des Voeux Road West  
 Sheung Wan, Hong Kong  
 +852 2851 8325  
 +852 2850 8182 (fax)