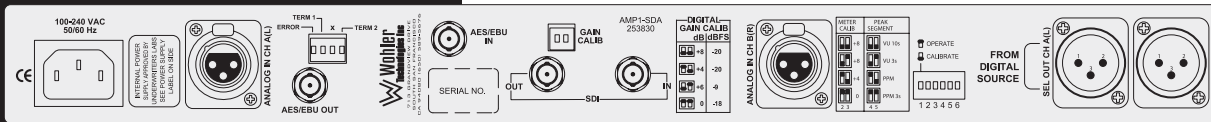


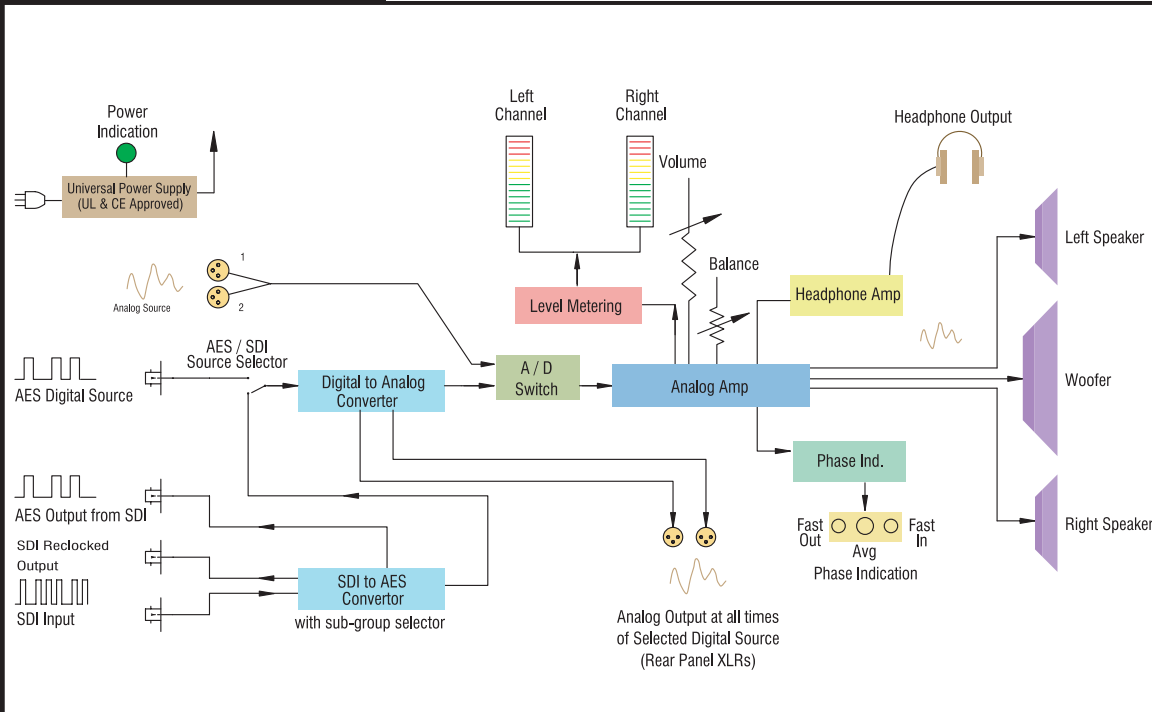
WOHLER AMP1-SDA

Compact, High Quality, 2 Channel, Analog, AES/EBU & SDI Self-Powered Speaker System

Rear Panel:



System Diagram:



Specifications:

Analog input 2 balanced analog inputs, XLR
AES/EBU input 1 unbalanced AES/EBU input, BNC
SDI input 1 SDI input, BNC
Analog output balanced analog output of selected digital pair, XLR
AES/EBU output 1 unbalanced AES/EBU from SDI input, BNC
SDI output 1 redlocked SDI output, BNC
Level meters 2 x 26 segment
Level meter scale +12 to -50 dB
Level meter threshold 0, +4, +6 or +8dBv - DIP switch selectable
Level meter dynamics Simultaneous VU & PPM
Midscale resolution 2dB
Peak acoustic output @ 2 feet 98dB SPL
Power output RMS each side (2 Ohms) - 5W, 7W peak RMS center WOOFER (4 Ohms) - 11W, 16W peak
Frequency response (1/6 octave) 80Hz - 20kHz (±5dB) (-10dB @ 50Hz, 22kHz)
Analog input impedance >40 kOhms balanced
AES/EBU input termination 75 Ohms unbalanced
SDI input termination 75 Ohms unbalanced
AES/EBU input sampling rate 32-48kHz, auto-detecting
Hum and noise better than -68dB below full output
Electrical distortion <0.15% at any level below limit threshold
Acoustic distortion8% or less worst case frequencies above 180Hz including cabinet resonance, typically <2%
Magnetic shielding <0.5 gauss any adjacent surface
Power consumption (AVG. MAX.) 30W
Dimensions (HxWxD) 1.75 x 19 x 12" (44.5 x 483 x 305mm)
Weight 9.5lbs (4.3kg)
Power Supply 100 to 240VAC, 50/60Hz universal input CE and UL approved

All specifications are subject to improvement



Toll Free (US): 1-888-5-WOHLER Tel: (650) 589-5676 Fax: (650) 589-1355
713 Grandview Drive, South San Francisco, California 94080, USA
www.wohler.com • sales@wohler.com